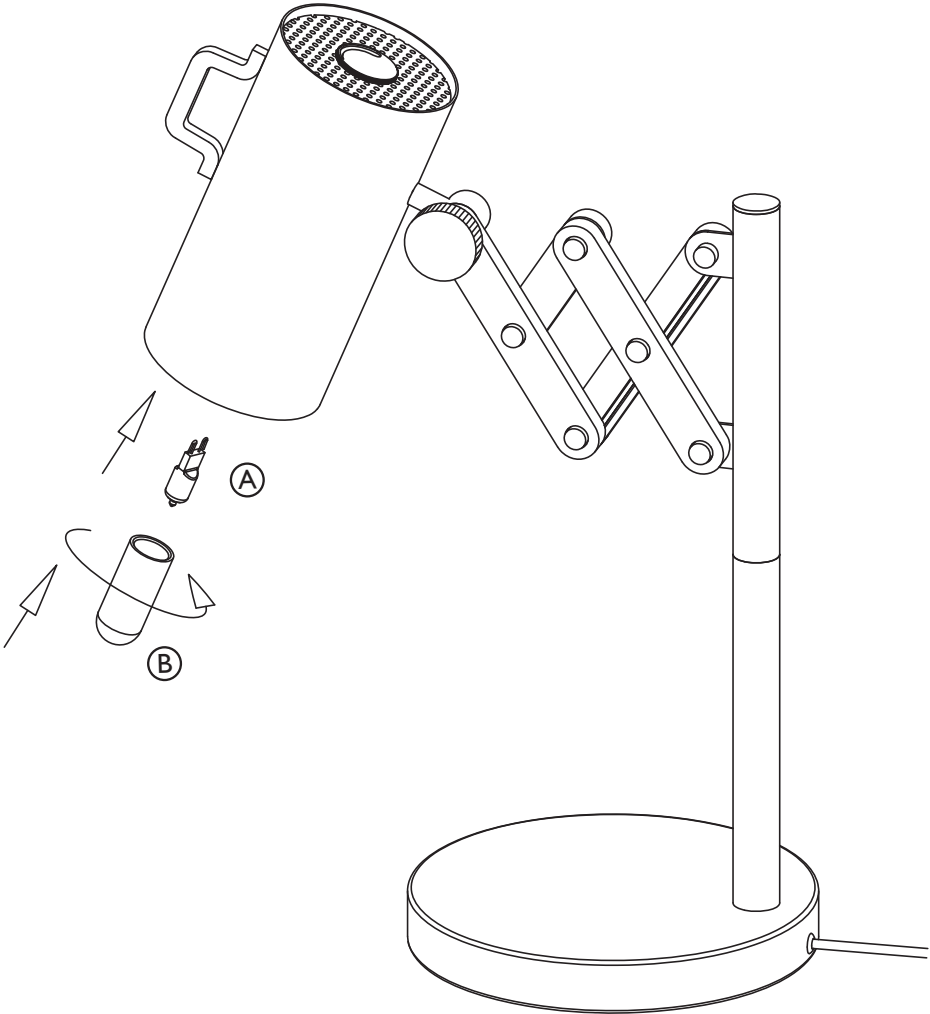
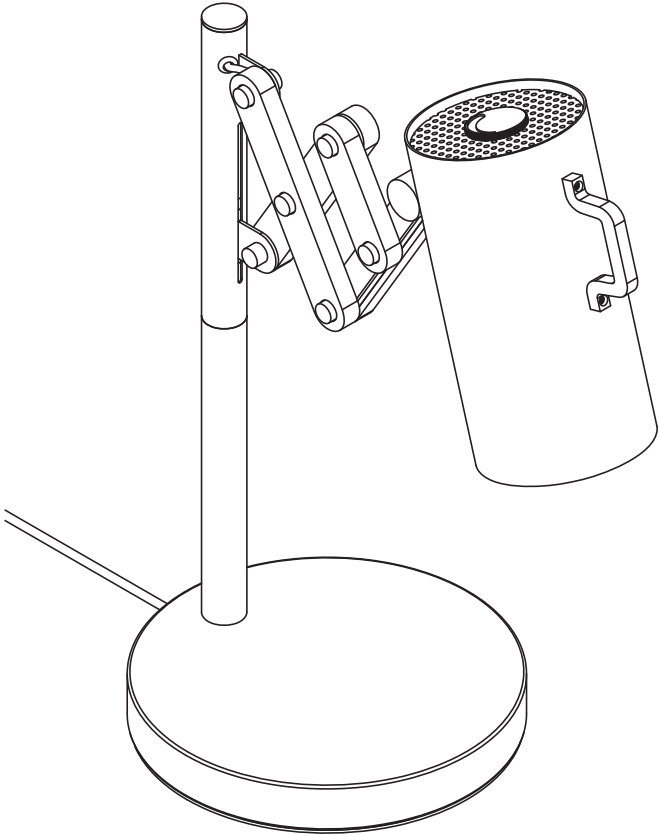



# ASSEMBLY INSTRUCTIONS

5200029, 5200030 TABLE LAMP FLEX

zuiver<sup>o</sup>



halogen G9  
max. 18W



(A) (B)

A rectangular box containing the text "halogen G9 max. 18W". Below the text are two diagrams: (A) shows a halogen G9 bulb with two pins; (B) shows a cylindrical sleeve. Below each diagram is a circled letter: (A) and (B).

**Caution :** If the external flexible cable or cord of this luminaire is damaged, it should be replaced by a qualified person in order to avoid a hazard.