

HEART'N'SOUL | DINING TABLE

Designed by Søren Ravn Christensen



DIMENSIONS (H x W x D)

75 x 200 x 90 cm / 29.9" x 6'6" x 35.4" (nonextended)
75 x 300 x 90 cm / 29.9" x 9'10" x 35.4" (extended)



TESTS & CERTIFICATIONS

EU: Passed EN 15372 (L2)



MATERIAL

Solid oak, MDF and steel



CONSTRUCTION

Frame: MDF. Reinforced with glue and screws. Clear top coat wood finish. **Legs:** Solid oak. Legs attached with insert bushings with bolts. **Plate:** Oak veneered MDF.



WEIGHT INCL. PACKAGING

76 kg / 167.5 lb



PACKAGING DIMENSIONS (L x W x H)

208.5 x 98.5 x 19.5 cm / 82.0 x 38.8 x 7.7"



ASSEMBLY TIME

30 min - video guide at umage.com



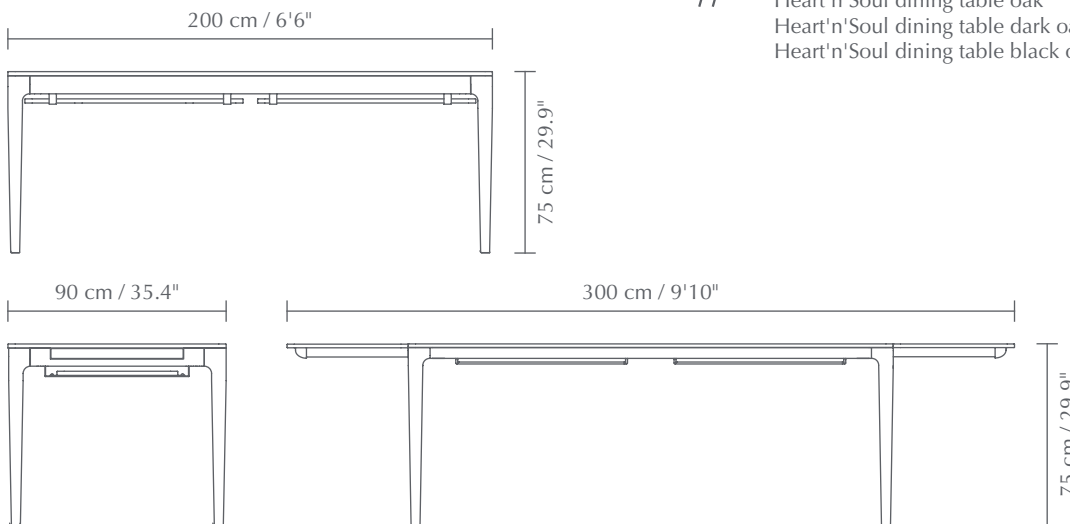
MEDIA KIT

Photos and press material
Download at umage.presscloud.com



ORDERING INFORMATION

Heart'n'Soul dining table oak	#5658
Heart'n'Soul dining table dark oak	#5858
Heart'n'Soul dining table black oak	#5158



Colour variations



oak



dark oak



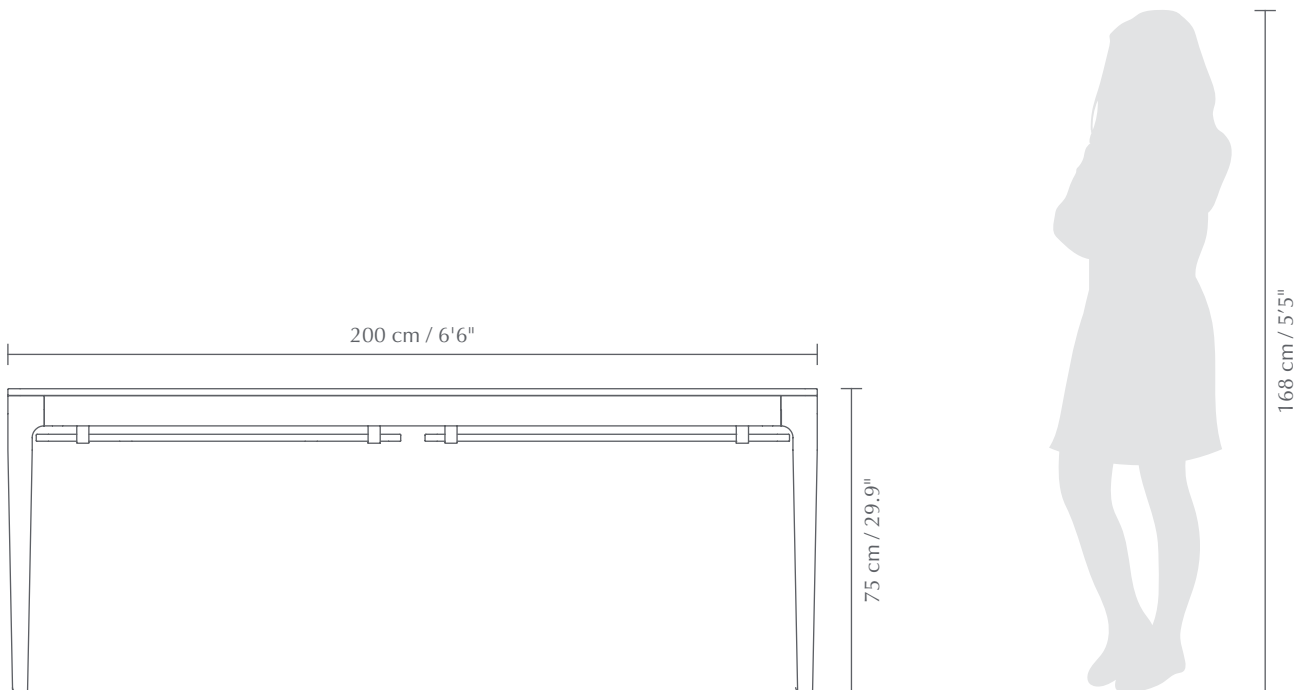
black oak


UMAGE

The specifications and dimensions are subject to change without notice. Document date: 16-11-2022 | info@umage.com | umage.com
Havnegade 29, DK-1058 Copenhagen K | +45 31 39 31 31 (tel) & 185 Wythe Ave 2FL, Brooklyn, NY 11249 | +1 646-790-7171 (tel)

HEART'N'SOUL | DINING TABLE

Designed by Søren Ravn Christensen




UMAGE

The specifications and dimensions are subject to change without notice. Document date: 16-11-2022 | info@umage.com | umage.com
Havnegade 29, DK-1058 Copenhagen K | +45 31 39 31 31 (tel) & 185 Wythe Ave 2FL, Brooklyn, NY 11249 | +1 646-790-7171 (tel)