

TONONE

technical specifications

BELLA pendant

Design by Anton de Groof, 2022



The Tonone Bella is a lamp that adds style and character to your interior. The design is functional, but also contains the typical layering that is created by Anton de Groof. This keeps you looking at the hanging fixture long after the first glance.

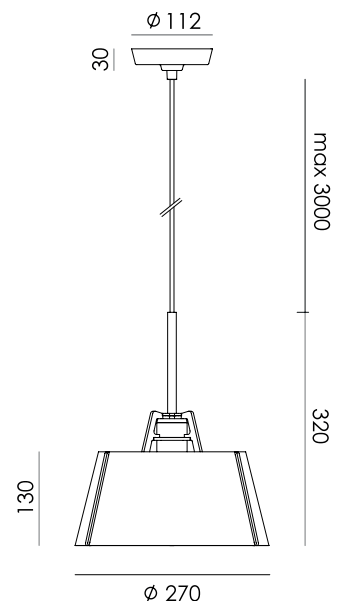
What is truly remarkable about the Bella Pendant is the screwless design. The lampshade is crafted with three ribs, which arise from the center of the lamp. In those ribs you will find a slot, where you can clamp the loose plates of the shade. This creates a solid and completely closed lamp, making sure that the light only shines where you want it to: upwards and downwards.

As a hanging lamp, the Bella Pendant is perfect to place over a dining table. But she herself says that she is not picky about where she hangs out. Your kitchen island, your living room or even your home office: she will feel right at home at any of these places. Will your place be next?

The Bella Pendant is available in 11 colors. To completely customize the design to your liking you are able to make another decision: the color of the fitting. The fitting of the Bella lamp is available in both black and brass. Black is a classic and timeless option, brass is bold and more daring. Whichever color you choose, both options can be combined just as easily.

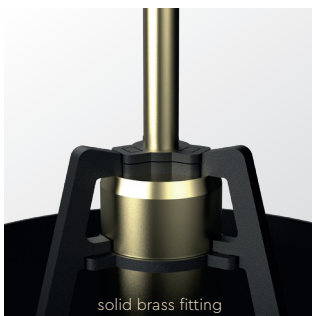
Type	Pendant
Environment	Indoor
Material	Steel & aluminum
Cord length	Max 3000 mm
Weight	1 kg
Voltage	220-240 V
Max Watt	60 Watt
Socket	E27
IP	20
Lightsource	Lightsource not included

Packaging	
Weight	1,9 kg
Length	30 cm
Width	30 cm
Height	41 cm



TONONE

technical specifications



		<i>solid brass fitting</i>	<i>black aluminum fitting</i>
●	smokey black	1675	1686
●	flux green	1676	1687
○	pure white	1677	1688
●	midnight grey	1678	1689
●	ash grey	1679	1690
●	striking orange	1680	1691
●	lightning white	1681	1692
●	thunder blue	1682	1693
●	daybreak rose	1683	1694
●	sunny yellow	1684	1695
●	ice blue	1685	1696