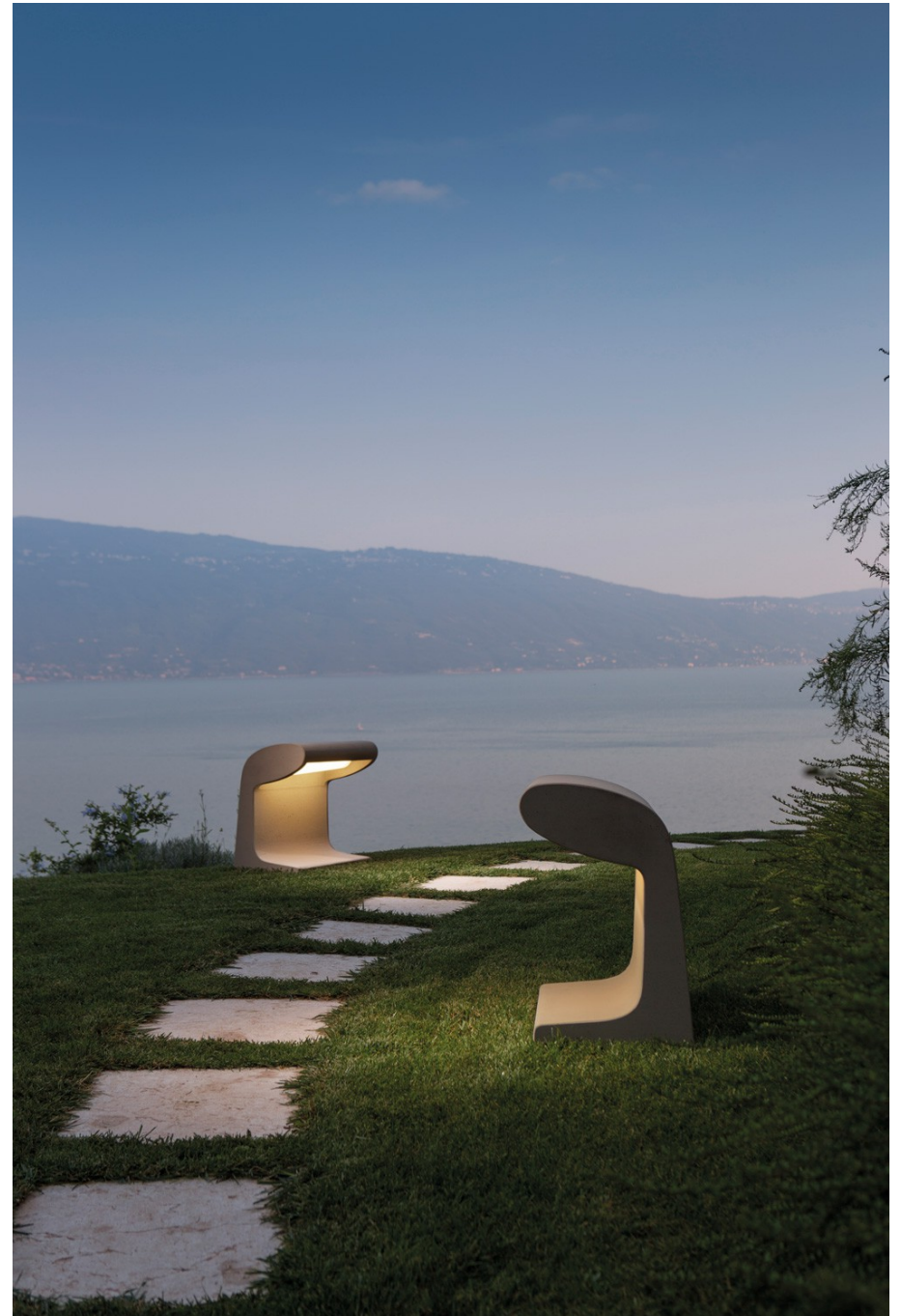


# BORNE BÉTON GRANDE

*Le Corbusier*

Concrete outdoor and indoor floor and table lamp, conceived for the Unité d'habitation de Marseille and for Bhakra Dam, Sukhna Dam in India in 1952. Each lamp is a handcrafted product: small aesthetic and finishing differences between one lamp and the other make them unique.



## LED INDOOR

### LAMPING

Source	LED board
Total power	38,4W
Emission	direct
Switching	dimmable, according to bulb
Tension	110/230V
Color temperature	3000K
Luminous flux	3840lm
Typ cri	80
Energy class	A+
Materials	concrete + PMMA
Notes	cable lenght 2,7m, dimmer on cable
Net lamp weight	53 Kg

### Codes

BBG LDW 22

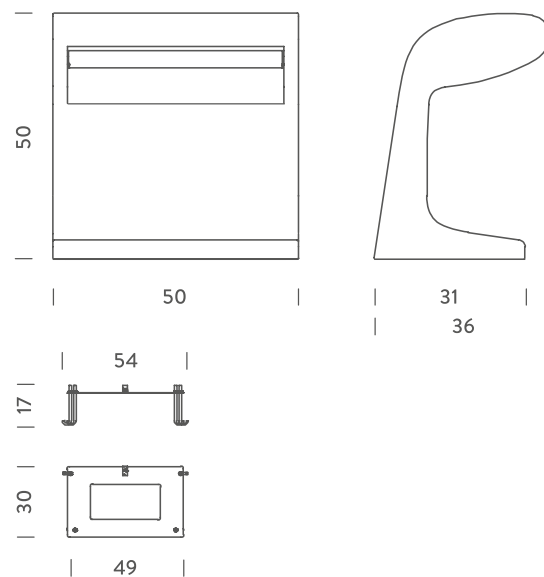
### Structure

concrete

### PACKAGE

Package 01 60x45x60 cm / Gross weight: 61 Kg

### Certificazioni



## LED OUTDOOR IP44

### LAMPING

Source	LED board
Total power	38,4W
Emission	direct
Tension	110/230V
Color temperature	3000K
Luminous flux	3840lm
Typ cri	80
Energy class	A+
Ip class	44
Materials	concrete + PMMA
Notes	cable lenght 3m, body and cable IP65 rated
Accessories	vandal proof fixing plate for outdoor version, zinced steel
Net lamp weight	53 Kg

### Codes

BBG LDW 21

### Structure

concrete

### PACKAGE

Package 01 60x45x60 cm / Gross weight: 61 Kg

### Certificazioni

