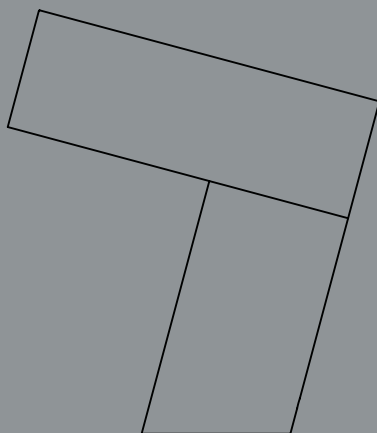


- INSTRUCTION MANUAL -

SLANT



DESIGN BY BRANCH

HAY

- GENERAL INFORMATION -

TECHNICAL DATA

This product is fitted with an E14 bulb fitting. HAY recommends using this product with LED bulbs.

FITTING TYPE | LED E27

POWER (W) | 10-13W

COLOUR TEMPERATURE | Warm white

HAY will not accept any responsibility for any accidents, injuries or damages that occur due to the use of incorrect bulbs.

ATTENTION

Ensure that the power supply to the circuit has clearly been turned OFF before installing the product. In some countries, electrical installation must be carried out by authorised electricians/contractors; please check with your local authority for guidance.

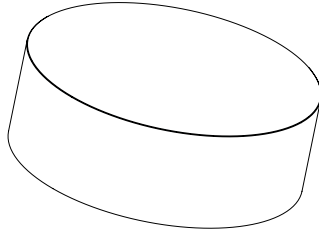
The product must not be modified in any way. HAY accepts no responsibility for any products that have been modified or tampered with. If the external flexible cable or cord of this luminaire is damaged, it should be exclusively replaced by a qualified electrician in order to avoid an electrical hazard. This lamp is designed for indoor use only.

CARE AND MAINTENANCE

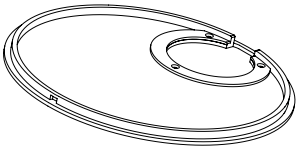
The product can be cleaned with a soft damp cloth and mild detergent, or a dry microfibre cloth. Do not use alcohol or any other solvents to clean the product and avoid using abrasive or rough sponges. Ensure that the power supply has been turned OFF before cleaning the product.



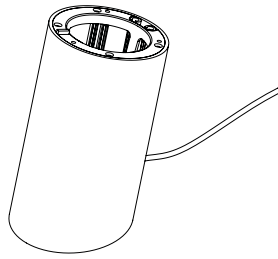
- PARTS -



Shade



Diffuser



Base



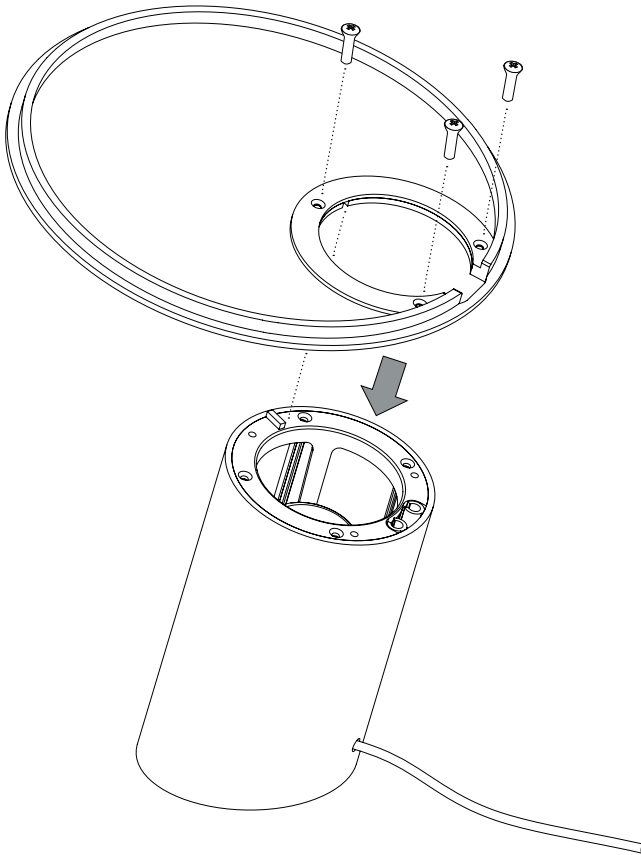
Allen key



Screws

1.

Unpack all the parts and check that you have received all the parts listed. Place the diffuser on the base and insert and fasten the supplied screws, as shown below. The base has a small ridge, with a corresponding groove on the diffuser, ensuring that the two parts are correctly assembled.

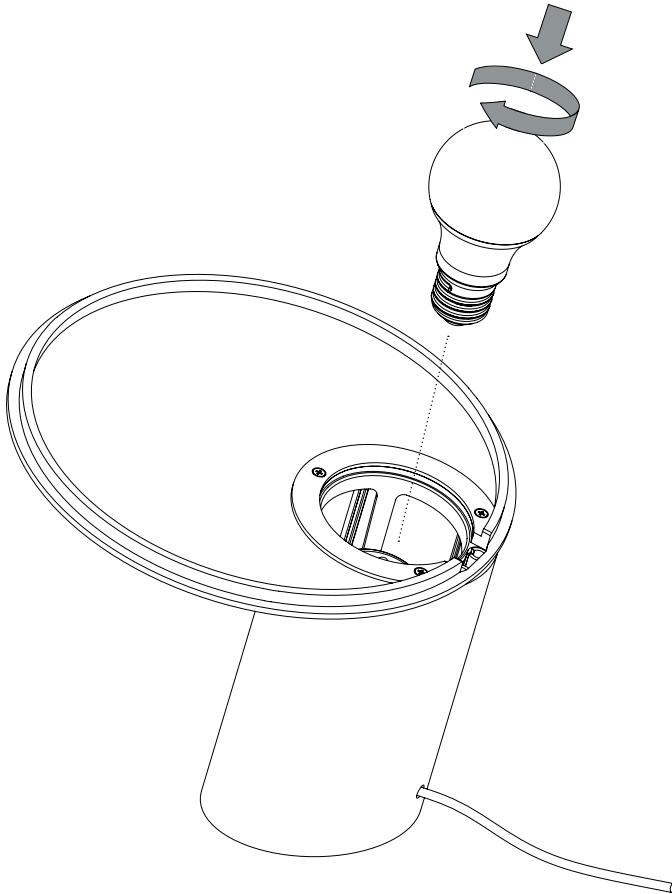


2.

Screw an E27 bulb into the bulb fitting.

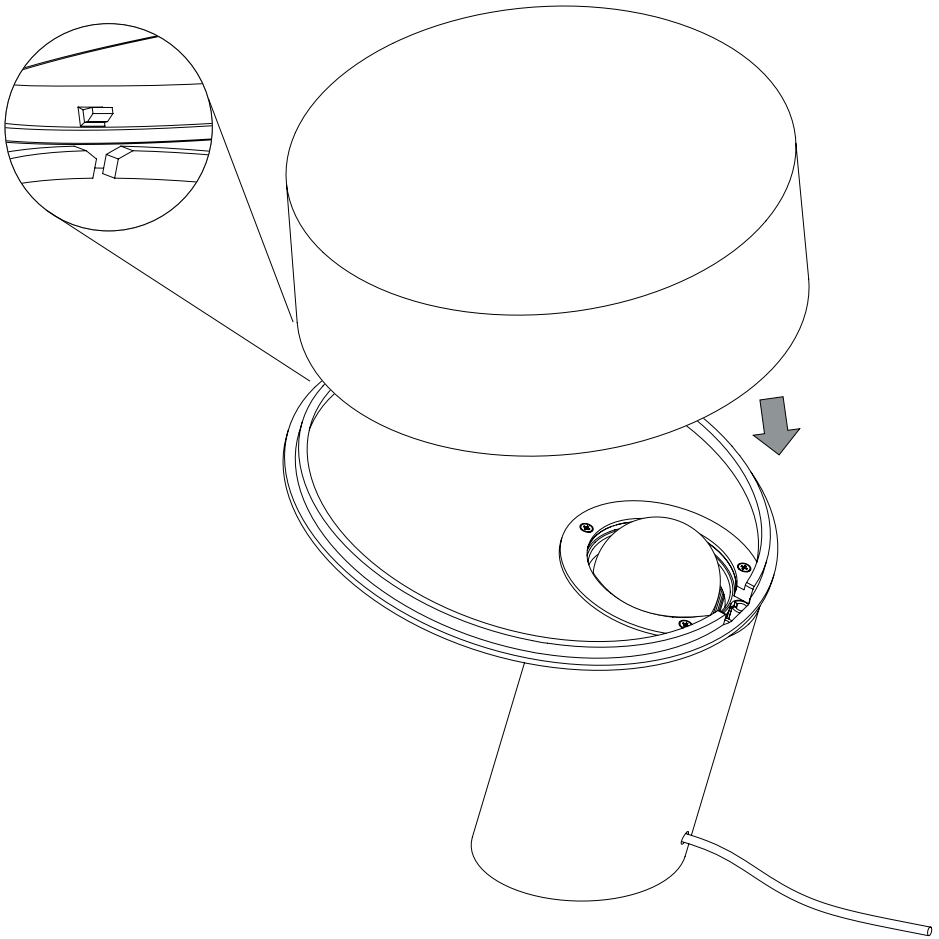
It is advised that a dimmable LED bulb, no more than 15W is used in this lamp.

Please note that larger globe-style bulbs will not fit in the lamp.



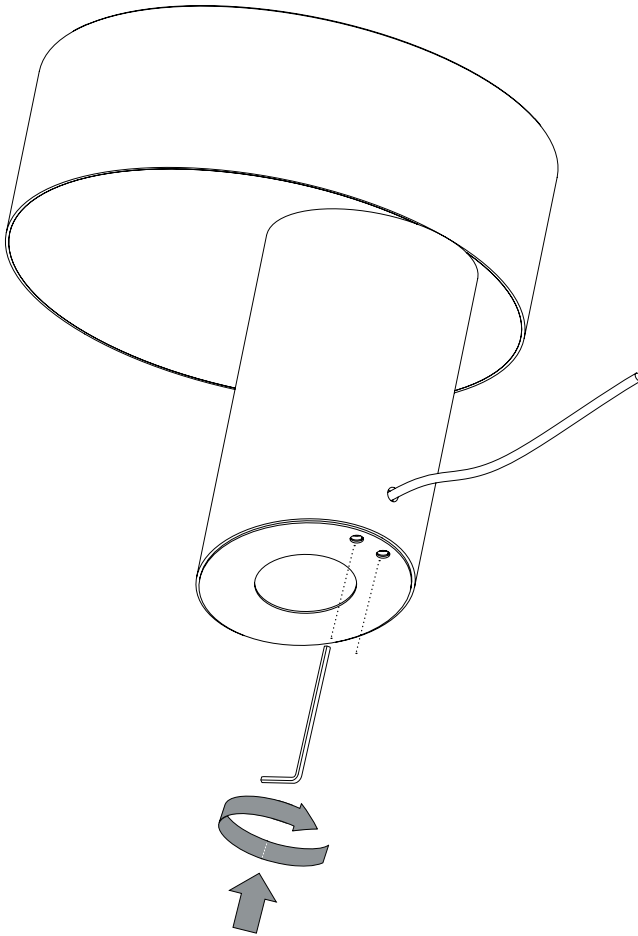
3.

Place the shade on top of the diffuser, as shown below, aligning the small pin on the inside of the shade with the corresponding slot on the rim of the diffuser.



4.

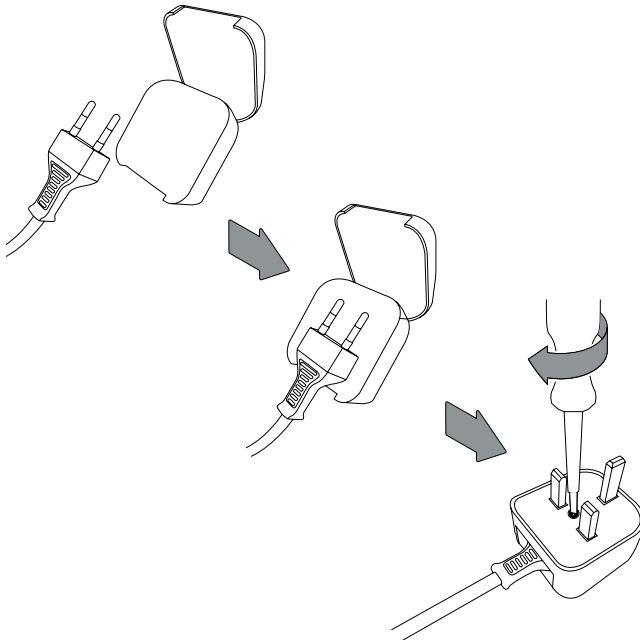
Once the shade is in place, it can be secured to the base. Insert the supplied Allen key into the two holes in the bottom and tighten the two screws that secure the shade to the base. Take care not to overtighten the screws, as this may damage some of the internal components.



- UK CUSTOMERS ONLY -

For UK customers, a plug converter will be supplied. If not included, please contact the HAY retailer from where the lamp was purchased.

Insert the EU plug into the converter provided. Close the converter over the EU plug with the pins secured in the internal spring clip contacts. Screw the converter together to ensure the UK plug is secure.



- CARE & MAINTENANCE -

Our Care & Maintenance offers guidance for optimal maintenance of your HAY product. It includes advice and instructions on cleaning and caring for specific materials to prolong the life of your lighting.



Please find our Care & Maintenance guide by scanning the QR code



You can find more relevant information on Slant by scanning the QR code

You can also find the same information here
hay.dk/downloads

Havnen 1 8700 Horsens Denmark
+45 4282 0282 / hay@hay.com

www.hay.com

11/01/2022

HAY