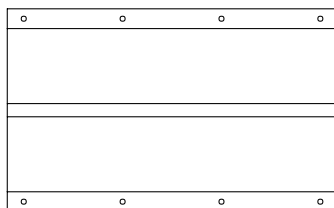


> LOOP STAND SUPPORT <

← - - - - 100cm - - - - →

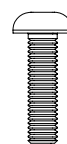
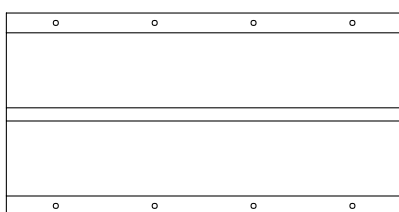


E x 4



F x 8

← - - - - 120cm - - - - →



E x 4

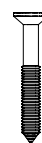


F x 8

← - - - - 170cm - - - - →



E x 4

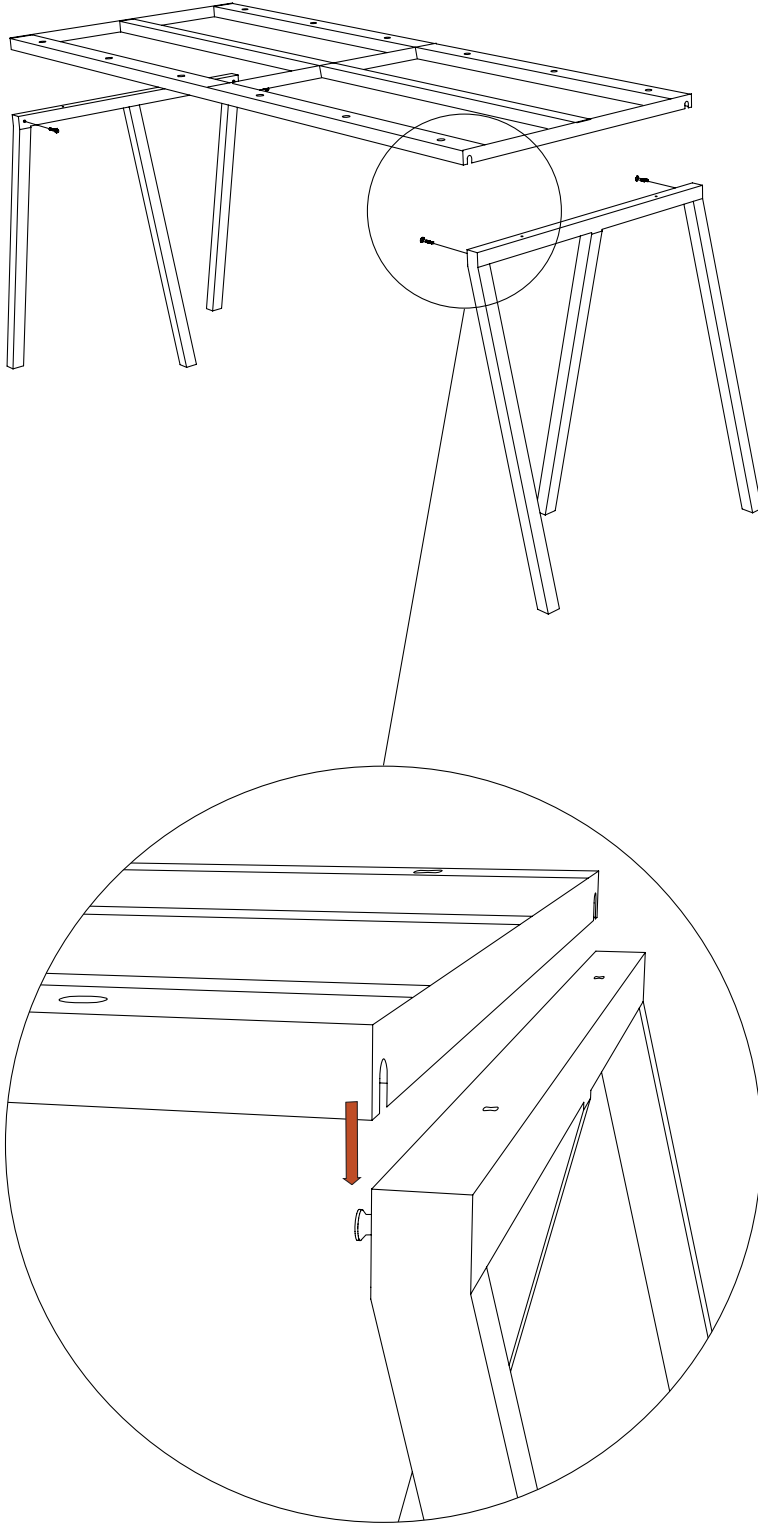


F x 12

D x 1

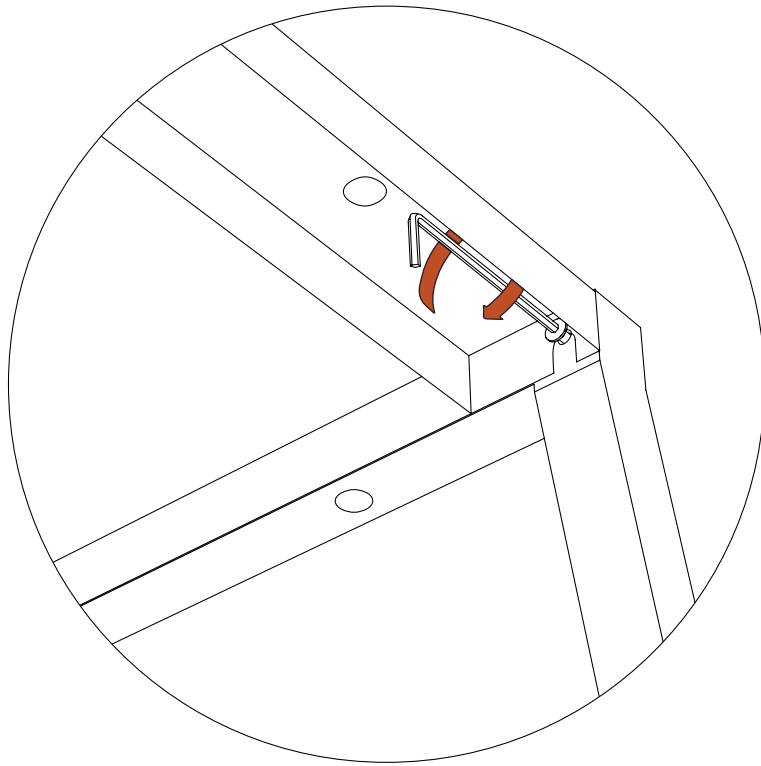
1.

Place the trestles standing upright, and slide in the support (D) using the E parts.
Do not tighten the E parts completely in order to slide in the support (D).



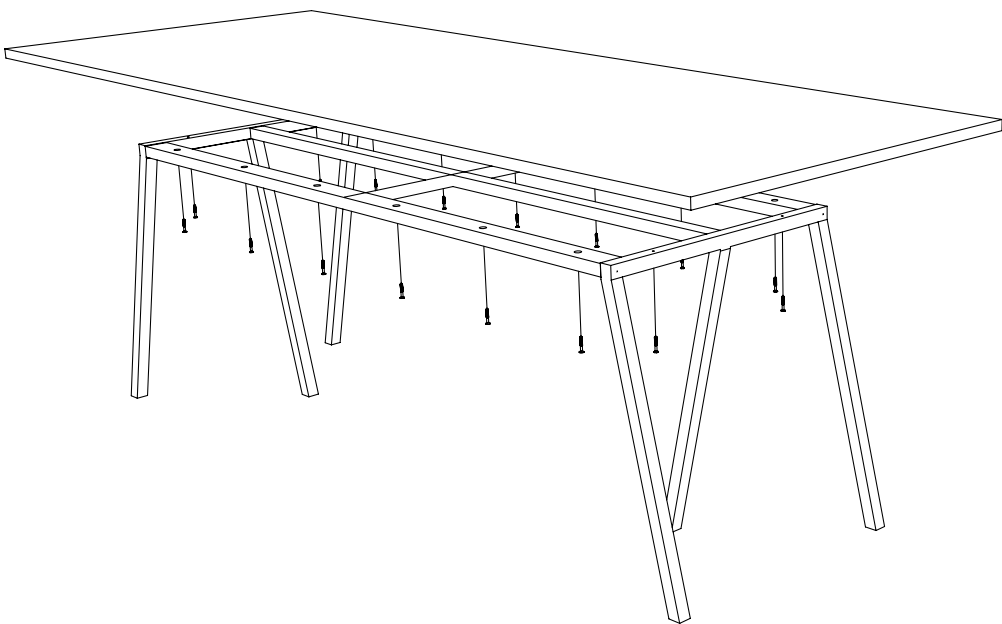
2.

Tighten the E part to secure the support (D) to the trestle.



3.

Screw the support (D) into the tabletop (A) using the F parts.



3.

