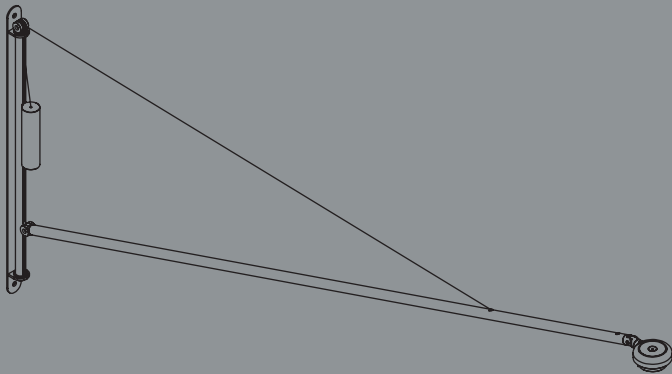


- INSTRUCTION MANUAL -

# FIFTY-FIFTY WALL



DESIGN BY SAM WELLER

# HAY



#### TECHNICAL DATA

This product is supplied with an integrated LED light source. The expected lifespan of the LED light source is 25,000 hours, which equates to 8-10 years of general use. When the light source reaches its end of life, the whole luminaire should be replaced.

FITTING TYPE | Integrated LED

POWER (W) | 7,7W

COLOUR TEMPERATURE | 3000K warm white.

#### ATTENTION

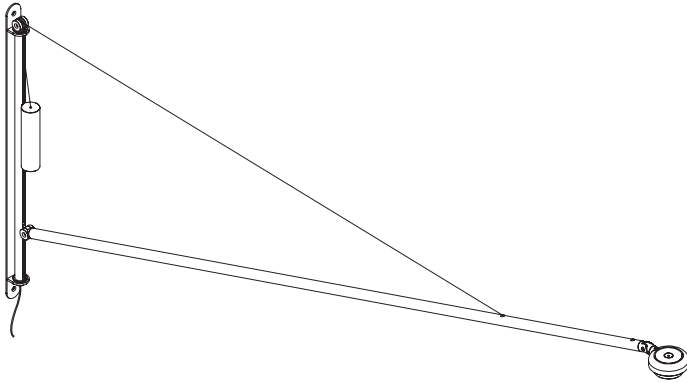
Ensure that the power supply to the circuit has clearly been turned OFF before installing the product. In some countries, electrical installation must be carried out by authorised electricians/contractors; please check with your local authority for guidance.

The product must not be modified in any way. HAY accepts no responsibility for any products that have been modified or tampered with. The external flexible cable or cord of this luminaire cannot be replaced. If the cord is damaged, the luminaire should be replaced. This lamp is designed for indoor use only.

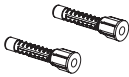
#### CARE AND MAINTENANCE

The product can be cleaned with a soft damp cloth and mild detergent, or a dry microfibre cloth. Do not use alcohol or any other solvents to clean the product and avoid using abrasive or rough sponges. Ensure that the power supply has been turned OFF before cleaning the product.

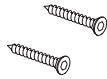
- PARTS -



Lamp



Wall plugs



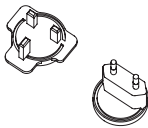
Screws



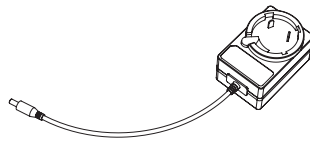
Allen key



Handle



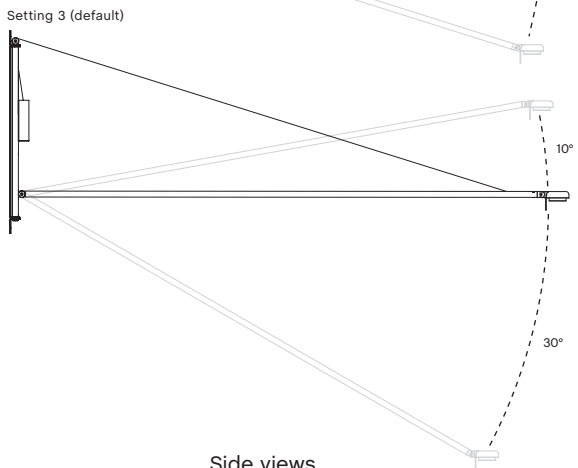
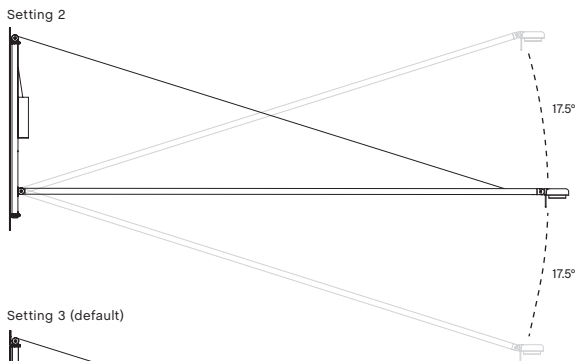
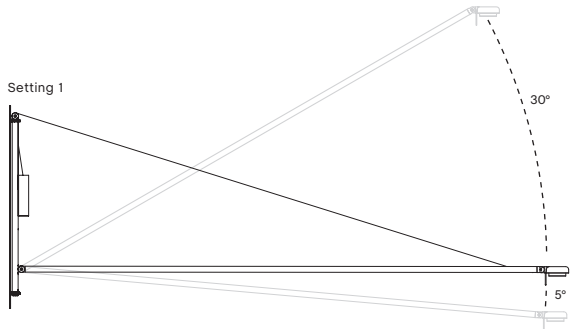
Adapter



Power supply

1.

Unpack all the parts and check that you have received all the parts listed.  
The arm has three different settings allowing for different degrees of freedom  
in a vertical direction. Choose the setting most suitable for your needs.

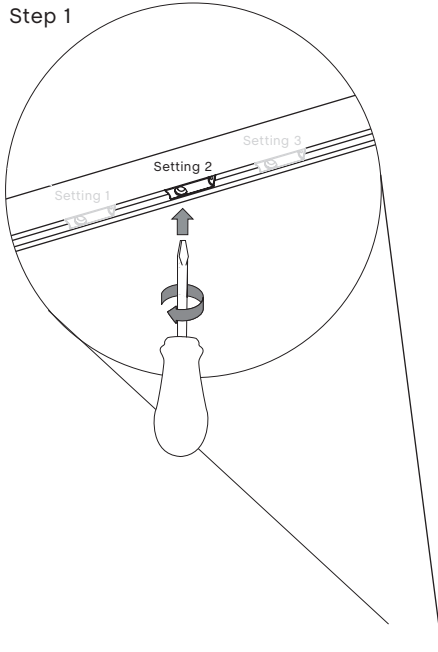


Side views

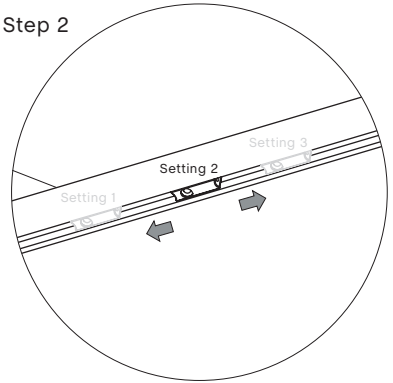
2.

If you would like to change between the three different settings for the arm - simply loosen the screw on the adjustment slider (step 1), change the slider's position (step 2) to the setting you require (step 3) and aligning the screw with the pre-defined hole and tighten the screw. It is suggested that two people carry out this step.

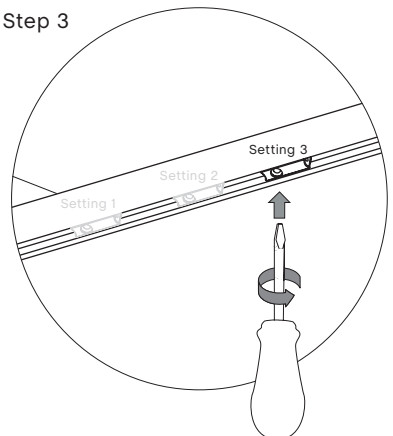
Step 1



Step 2

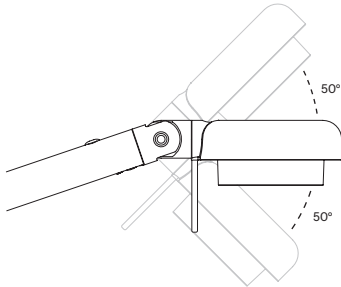


Step 3

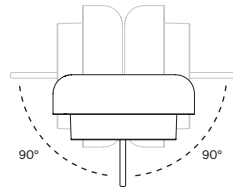


3.

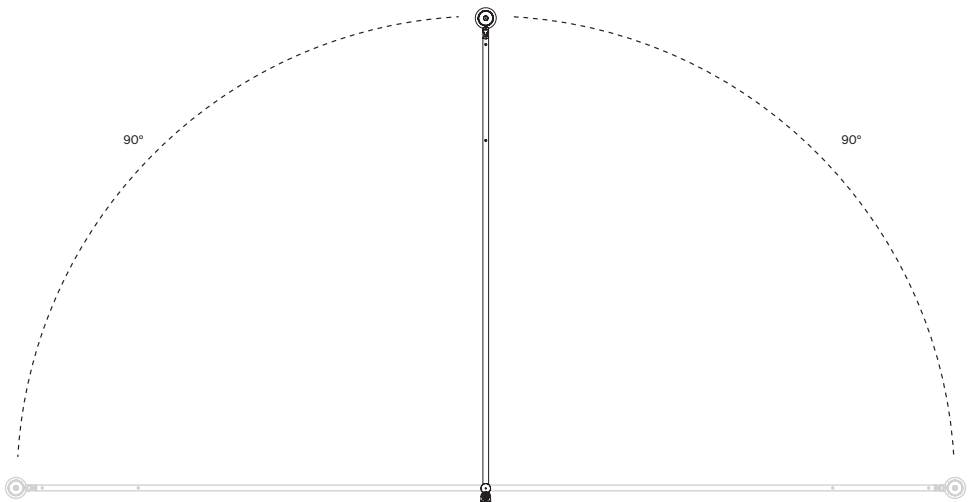
The head of Fifty-Fifty Wall is flexible and can be moved sideways and up and down. The arm also allows for a 180 degree horizontal movement.



Side view



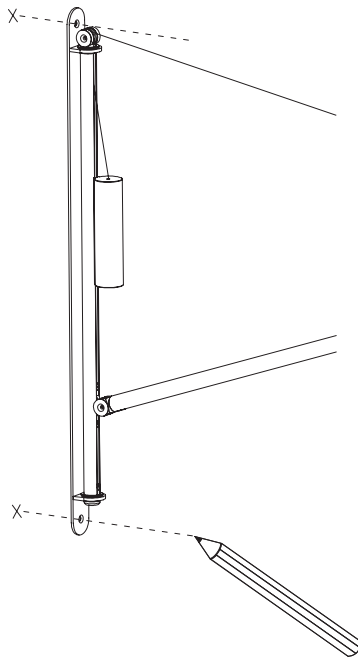
Front view



Top view

4.

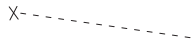
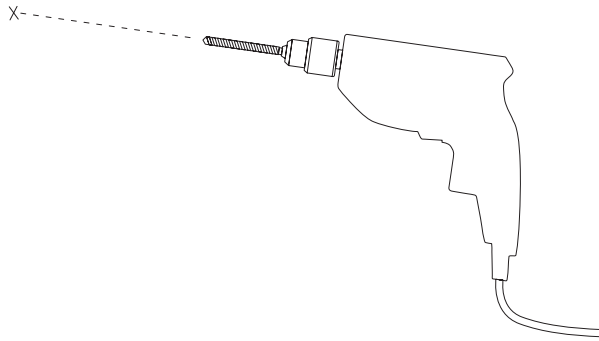
Using the lamp's wall bracket as a guide, mark the position of the holes to be drilled (640 mm apart). Use a spirit level to ensure that the wall bracket is level.





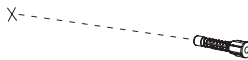
5.

Drill the holes using the correct type of drill for the wall you are drilling into.



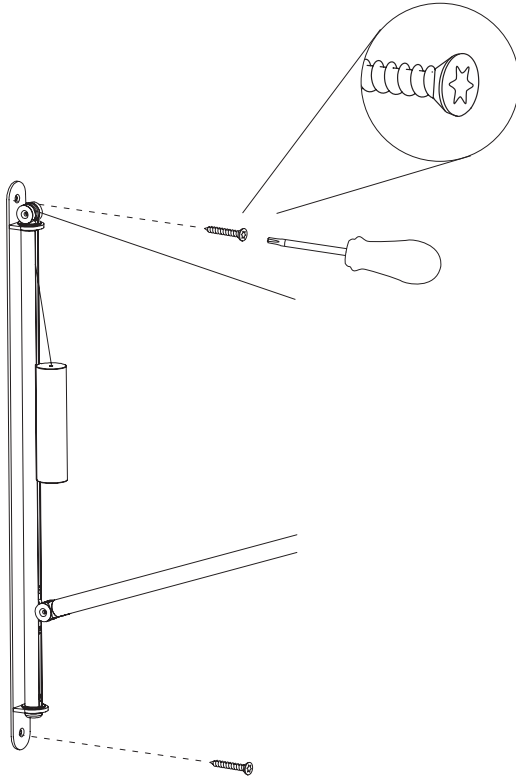
6.

Insert the wall plugs. Ensure you use the correct type of plugs for the type of wall.



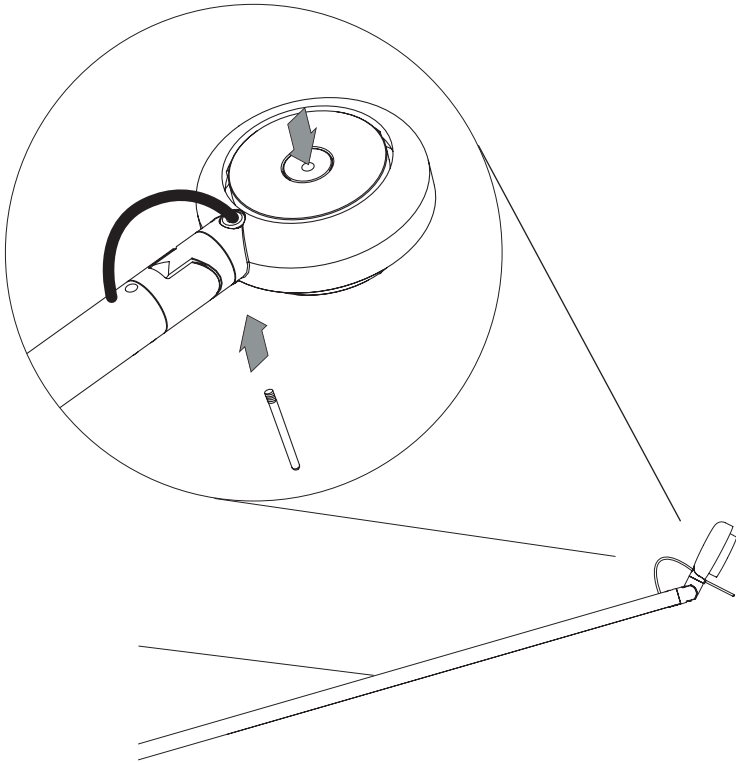
7.

Fix the wall bracket onto the wall using the provided screws, starting from the top.



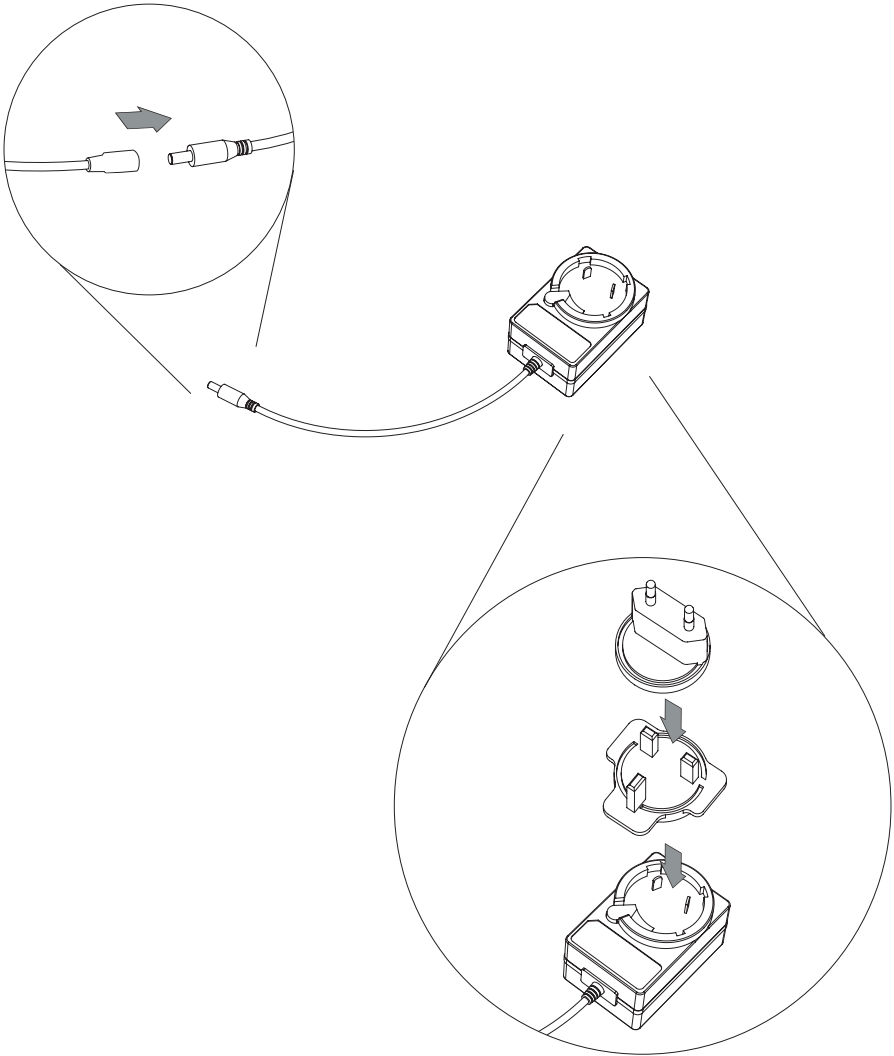
8.

Screw the handle into the head, ensuring it is tight before using it to adjust the lamp's position. The lamp can be freely moved and will hold in any position. A touch sensitive step dimming switch is located on the backside of the lamp's head.



9.

Plug the trailing cable into the power supply.  
Attach the correct adapter for your region.  
The lamp is now ready for use.



- CARE & MAINTENANCE -

Our Care & Maintenance offers guidance for optimal maintenance of your HAY product. It includes advice and instructions on cleaning and caring for specific materials to prolong the life of your lighting.



Please find our Care & Maintenance guide by scanning the QR code



You can find more relevant information on Fifty-Fifty Wall by scanning the QR code

You can also find the same information here  
[hay.dk/downloads](http://hay.dk/downloads)



Havnen 1 8700 Horsens Denmark  
+45 4282 0282 / hay@hay.com

[www.hay.com](http://www.hay.com)

14/10/2021

**HAY**