



## CARE INSTRUCTIONS

### FRAME/LAMINATE

For dusting and light cleaning use a soft, dry cloth. For further cleaning, use a soft cloth that is firmly wrung in clean water for gently wiping the surface, and then immediately use a dry cloth to wipe the surface again. If more thorough cleaning is necessary, use a mild liquid soap dissolved in water on a firmly wrung cloth to wipe the frame. Afterwards, repeat the process with clean water as described above.

### MARBLE

For marble maintenance, see the included marble instruction sheet.



For enquiries contact GUBI A/S - CVR: 17940384  
Klubiensvej 7-9, 2150 Nordhavn, Copenhagen, Denmark

T +45 69 15 60 60 – [order@gubi.dk](mailto:order@gubi.dk)

[GUBI.COM](http://GUBI.COM)

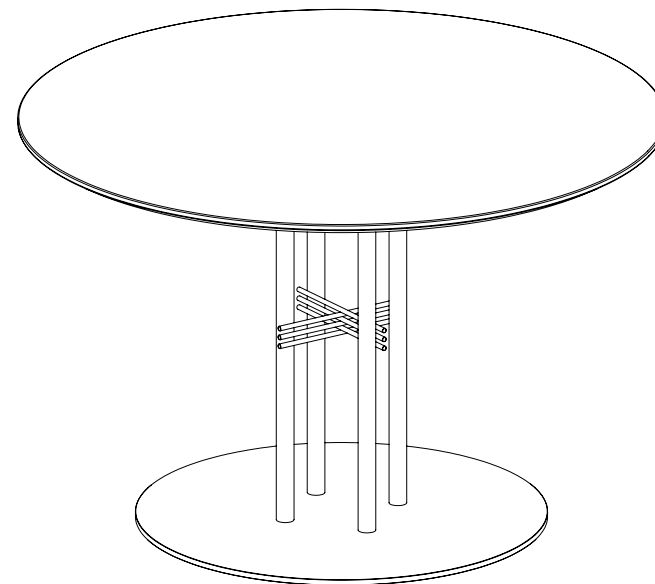
04-20-200-01 Mounting Instructions TS Column Table.

# GUBI

ASSEMBLY INSTRUCTIONS

*for*

## TS COLUMN TABLE



LAMINATE

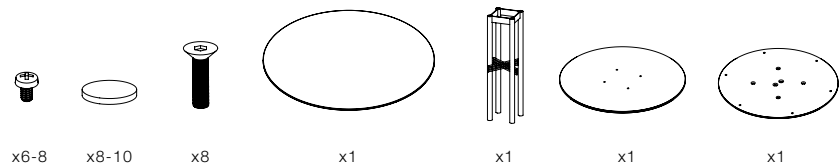


MARBLE

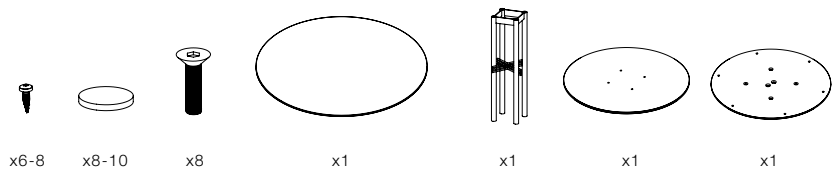


### CONTENTS - MARBLE (Contents depend on table top size)

*TS COLUMN TABLE*

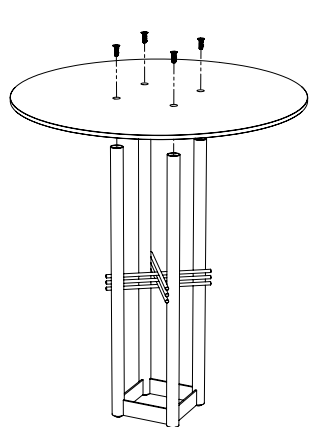


### CONTENTS - LAMINATE (Contents depend on table top size)



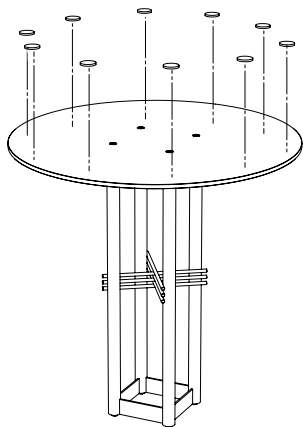
**1.**

Use four of the countersunk screws to screw together the base plate and the column.



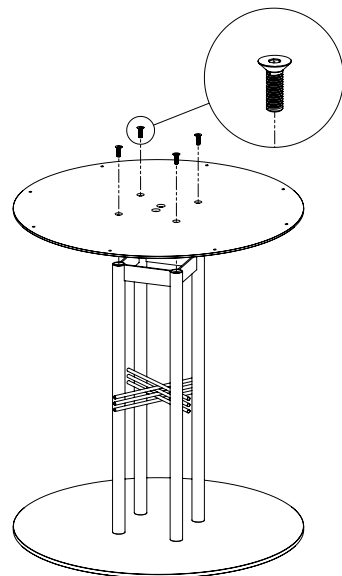
**2.**

Peel the paper off and stick the felt glides evenly around the edge of the bottom of the base plate. For the best visual result - keep a distance of over 1,5 cm to the edge.



**3.**

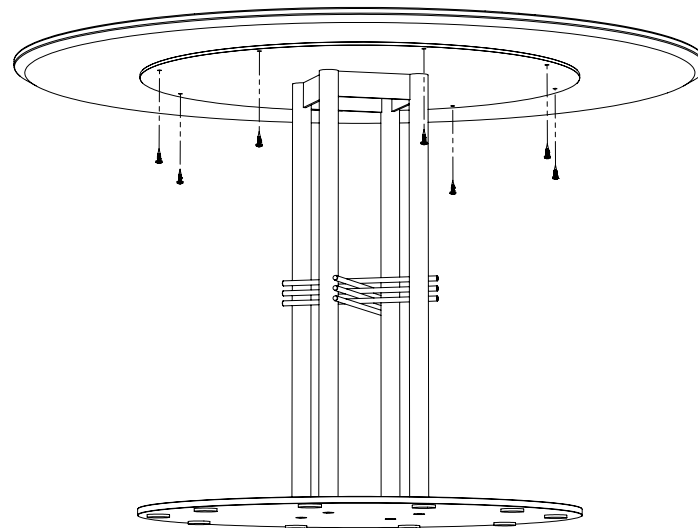
Place the top piece on the column and screw them together with four countersunk screws.



**4.**

Marble: Align the frame with the threaded holes in the table top. Mount with 6-8x machine screws.

Laminate: Align the frame with the predrilled holes in the table top. Mount with 6-8x wood screws.



### CAUTION: DO NOT LIFT TABLE BY TOP!

DO NOT lift the table only by the table top. When moving the table, dismount the screws in the table top. Remove the table top from the frame. Move the frame and put the table top back on.