

GUBI

MAINTENANCE INSTRUCTIONS

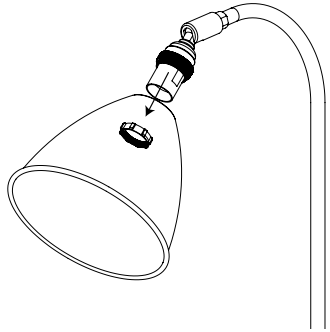
for

EXCHANGING NEW
VERSIONS OF GUBI
LAMP HOLDER

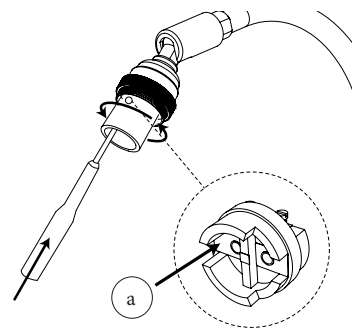


For enquiries contact GUBI A/S - CVR: 17940384
Klubiensvej 7-9. 2150 Nordhavn. Copenhagen, Denmark
T +45 69 15 60 60 – salesupport@gubi.dk
GUBI.COM

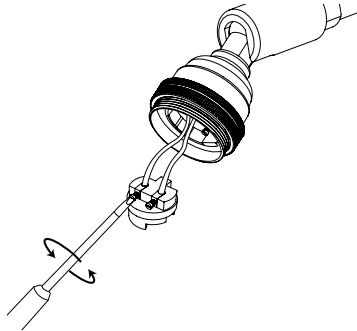
1.
Turn off the lamp and remove light bulb and lamp shade.



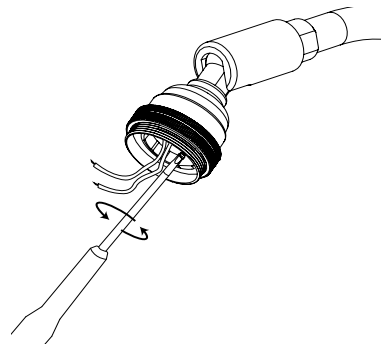
2.
Press the metal flap (a) with a thin screwdriver, while screwing off the holder.



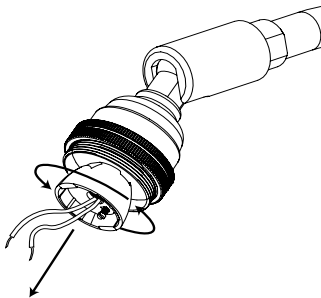
3.
Disconnect cables by loosening screws and remove the terminal.



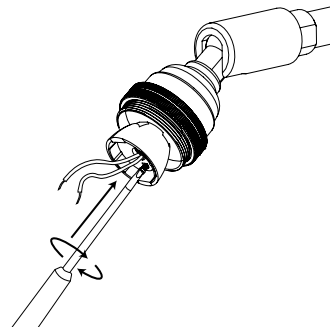
4.
loosen screw in bottom of the holder.



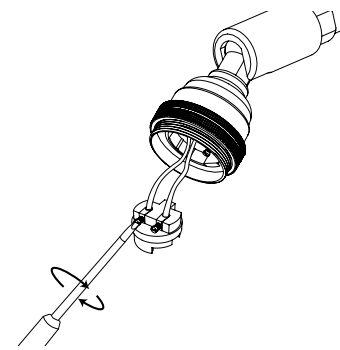
5.
screw out the part.



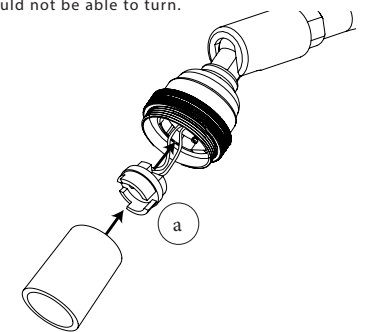
6.
Insert the first part of the new lamp holder and tighten screw.



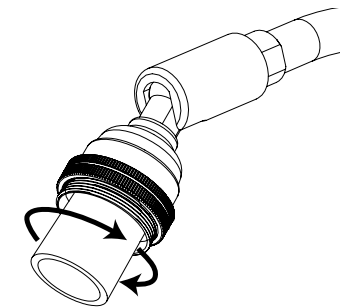
7.
Connect cables to the new terminals.



8.
Assemble all 3 new lamp holder parts. Turn the middle part (a) to fit in the holder - it should not be able to turn.



9.
Tighten the lamp holder.



10.
Put lamp shade back on.

