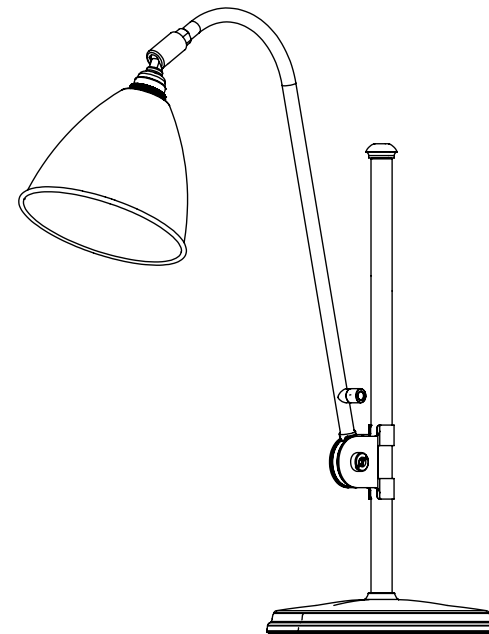


# GUBI

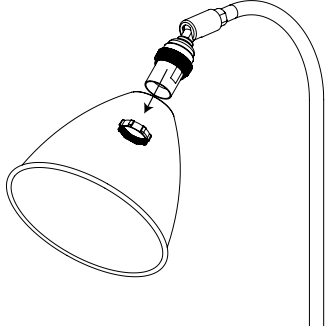
MAINTENANCE INSTRUCTIONS  
*for*  
REPLACING BESTLITE  
LAMP HOLDER

---

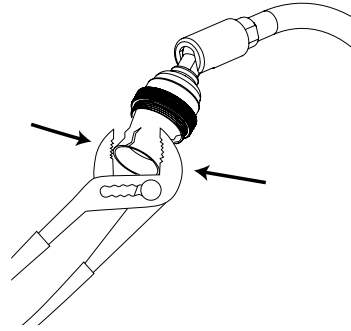


For enquiries contact GUBI A/S - CVR: 17940384  
Klubiensvej 7-9. 2150 Nordhavn. Copenhagen, Denmark  
T +45 69 15 60 60 – [salessupport@gubi.dk](mailto:salessupport@gubi.dk)  
[GUBI.COM](http://GUBI.COM)

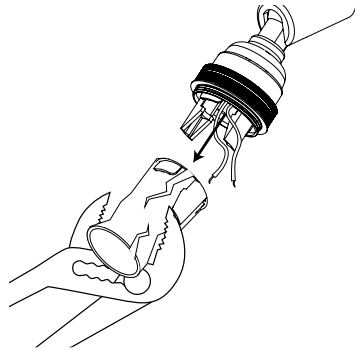
1.  
Turn off the lamp and remove light bulb and lamp shade.



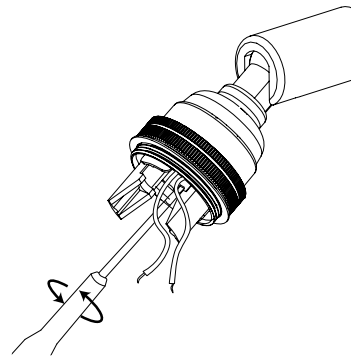
2.  
Use the pliers to break the lamp holder top.



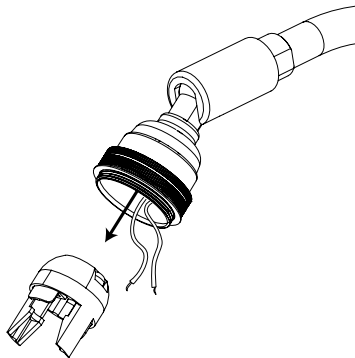
3.  
Pull out all the broken parts.



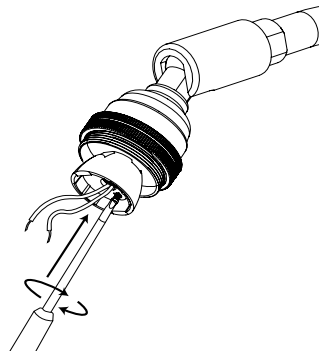
4.  
Loosen screw in bottom of the holder.



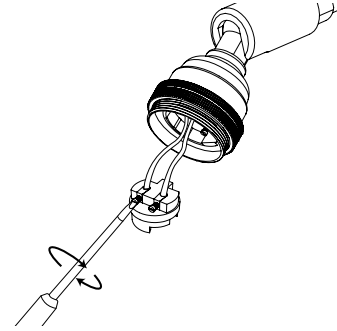
5.  
Screw out the part.



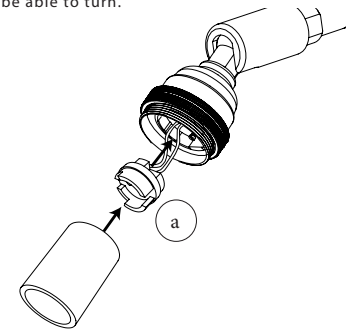
6.  
Insert the first part of the new lamp holder and tighten screw.



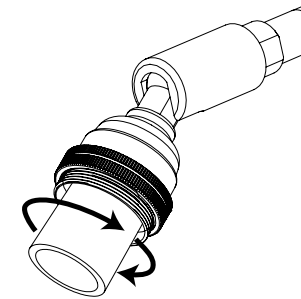
7.  
Connect cables to the terminals.



8.  
Assemble all 3 lamp holder parts. Turn the middle part (a) to fit in the holder - it should not be able to turn.



9.  
Tighten the cylinder lamp holder.



10.  
Put lamp shade back on.

