

## PRODUCT DATA SHEET

### Tolomeo tavolo - Halo White



#### DESIGN BY :

MicheleDe Lucchi, GiancarloFassina  
1987

#### MATERIALS :

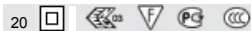
Polished Aluminium

#### DESCRIPTION :

Base and cantilevered arms in polished aluminium; diffuser in matt anodised white aluminium; joints and supports in polished aluminium. System of spring balancing.

Interchangeable support: table base, clamp, desk fixed support and twin support that allows two independent lamp units to be fitted.

#### Light emission



### TECHNICAL DATA SHEET

#### FEATURES

Product name:	Tolomeo tavolo - Halo White
Article Code:	A004420
Colour:	White
Material:	Polished Aluminium
Series:	Design

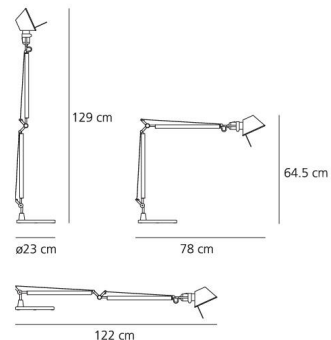
#### DIMENSIONS

Length:	cm 78
Height:	cm 64.5
Base Diameter:	cm 23
Max Extension Height:	cm 129
Max Extension Length:	cm 122
Cutout shape:	

#### LAMPS INCLUDED

Category:	HALO
Number:	1
Lbs:	A60
Watt:	70W
Socket:	E27
Type:	laa/c
Luminous Flux (lm):	1180 lm
Colour Rendering:	1a
Colour temperature (K):	2900K
Duration (h):	1000

#### DIMENSIONS



#### LAMP

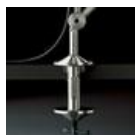


#### LUMINAIR

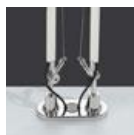
Watt:	70 W
Voltage:	220V-240V



TOLOMEO SUPP.TAVOLO  
FISSOA004200



TOLOMEO  
MORSETTOA004100



TOLOMEO SUPPORTO  
TAVOLO TWINA004300



TOLOMEO BASE TV D230  
VRN BCOA005320

## ACCESSORIES

---



TOLOMEO SUPP.TAVOLO  
FISSOA004200



TOLOMEO  
MORSETTOA004100



TOLOMEO SUPPORTO  
TAVOLO TWINA004300



TOLOMEO BASE TV D230  
VRN BCOA005320