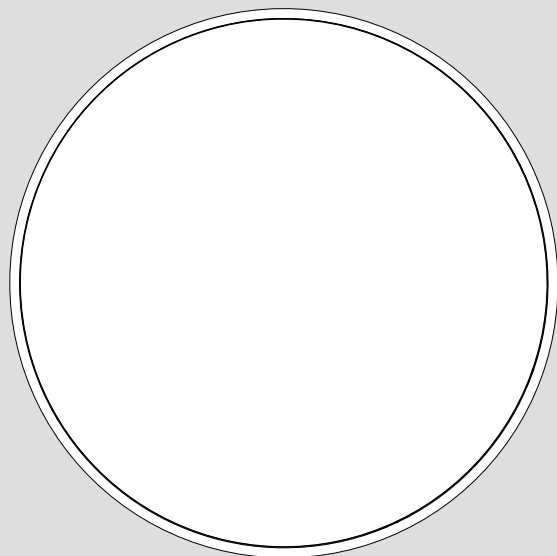


Artemide®

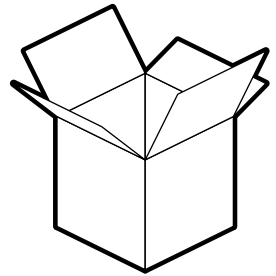
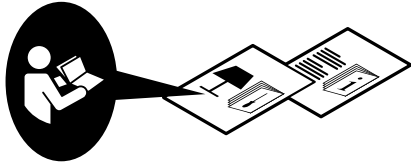
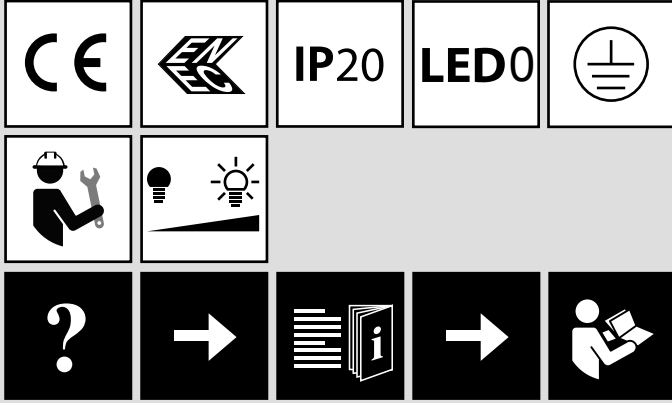
Febe

design
E. Gismondi - D. Moioli

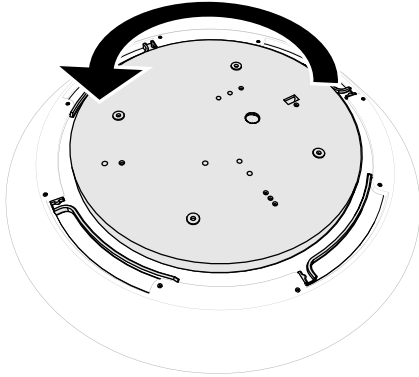




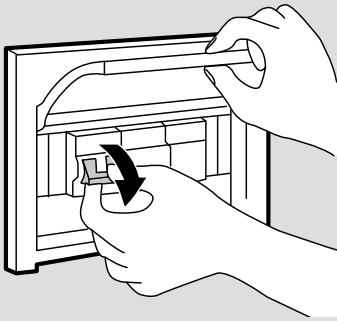
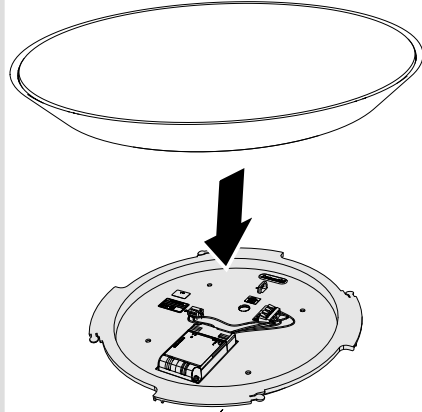
i



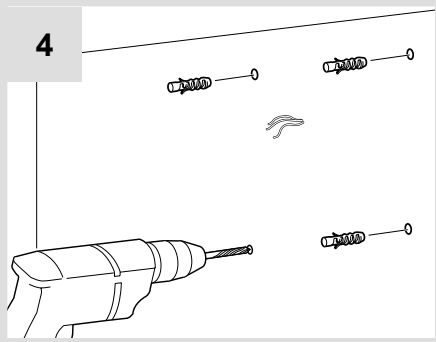
1



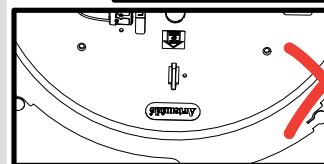
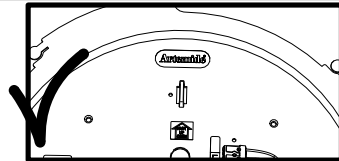
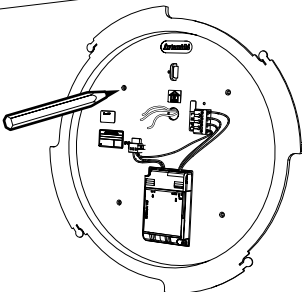
2



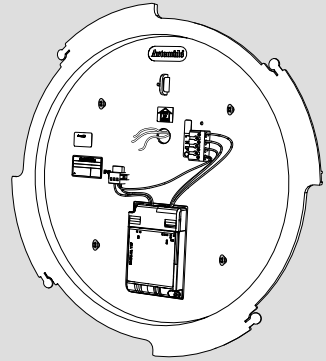
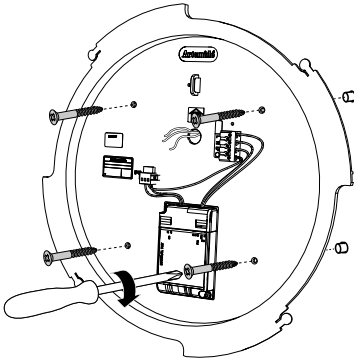
4



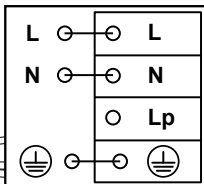
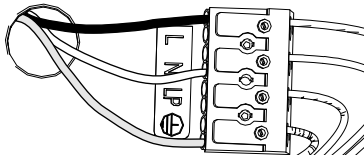
3



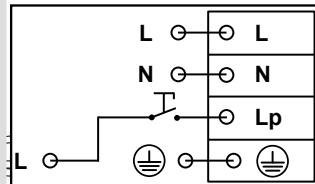
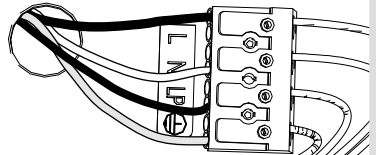
5



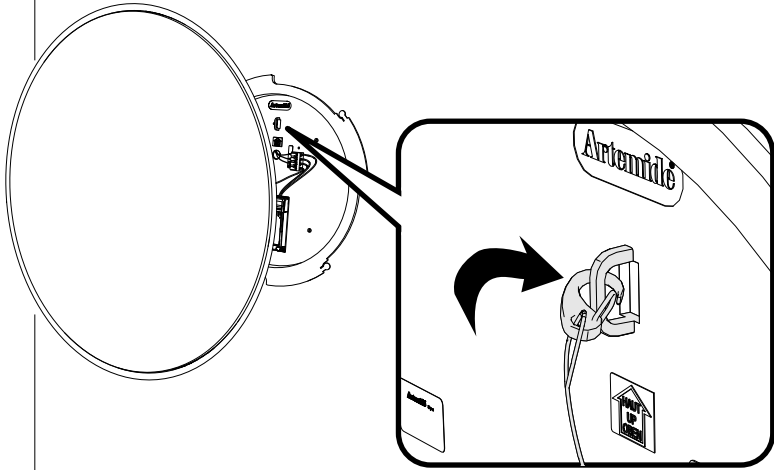
6a



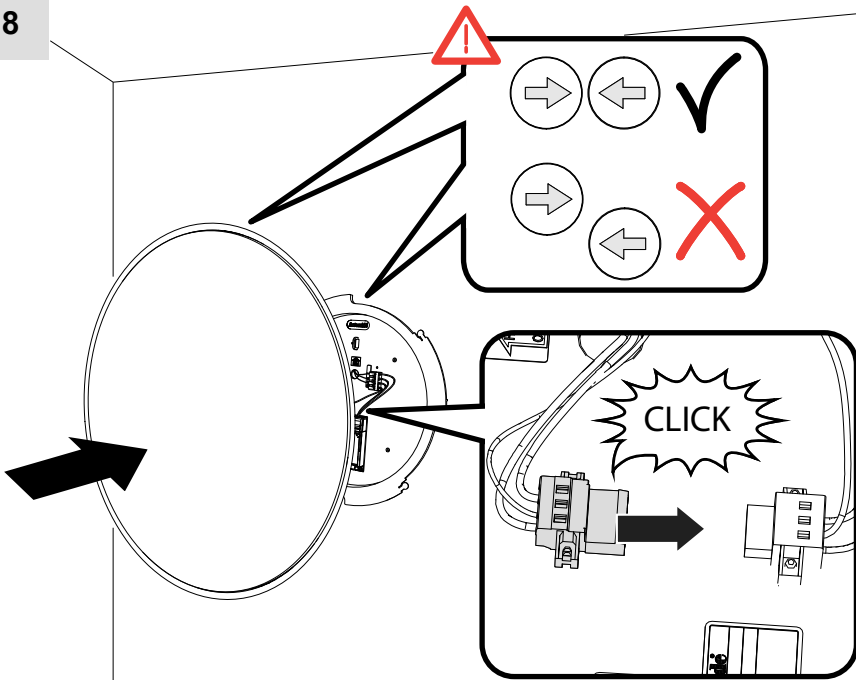
6b



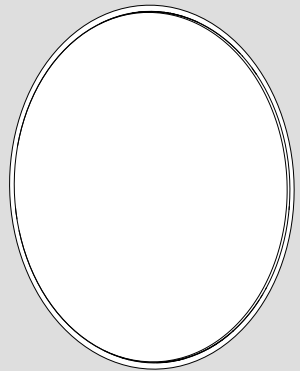
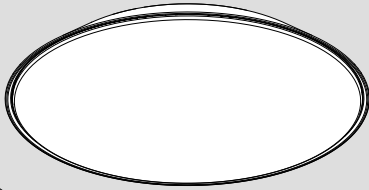
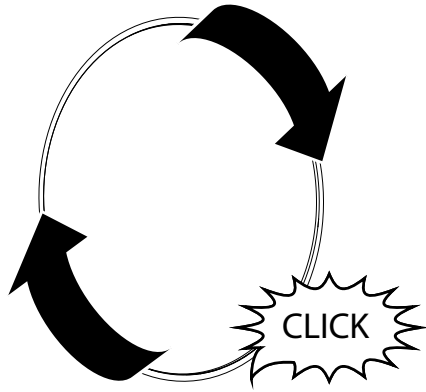
7

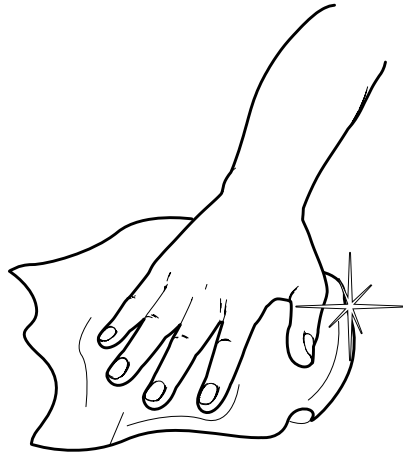
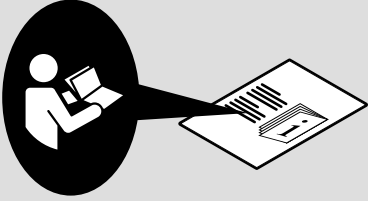


8

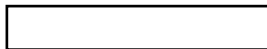


9





Artemide®



Artemide

via Bergamo, 18
20010 Pregnana M.se (MI)
ITALIA

tel. +39 02 935 181
fax +39 02 935 90 254
fax +39 02 935 90 496

www.artemide.com

VAT IT00846890150

cod. Y513000738A