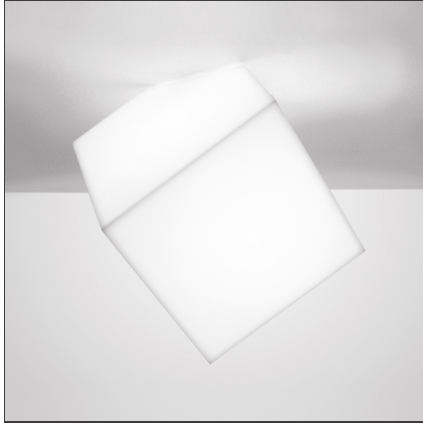
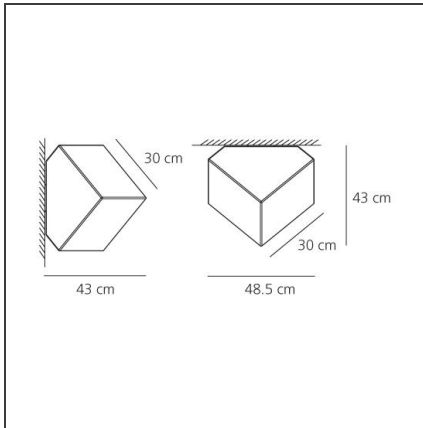


## Edge 30 - Wall/Ceiling



IP65    Dimmerable: 

### TECHNICAL DRAWINGS



### DESIGN BY

Alessandro Mendini

### DESCRIPTION

Wall support in thermoplastic resin; diffuser in thermoplastic material. Ability to mount LED light source E27 (LED light source not included).

### FEATURES

<b>Article Code:</b>	1293010A	<b>Material:</b>	Technopolymer
<b>Colour:</b>	White	<b>Series:</b>	Design
<b>Installation:</b>	Wall, Suspension, Ceiling	<b>Area contract:</b>	Hospitality, Residential
<b>Environment:</b>	Indoor	<b>Emission:</b>	Diffused

### DIMENSIONS

<b>Width:</b>	cm 4.8	<b>Impact Resistance:</b>	N/D
<b>Height:</b>	cm 4.3	<b>Glow Wire Test:</b>	750°C

### NOT INCLUDED SOURCES

<b>Category:</b>	FLUO	<b>Color Rendering:</b>	1b
<b>Number:</b>	1	<b>Color temperature (K):</b>	2700K
<b>Watt:</b>	23W		
<b>Lbs:</b>	Tc-tse		
<b>Socket:</b>	E27		

### ALTERNATIVE SOURCES

<b>Category:</b>	LED
<b>Number:</b>	1
<b>Watt:</b>	8W
<b>Type:</b>	2
<b>Socket:</b>	E27
<b>Class:</b>	A

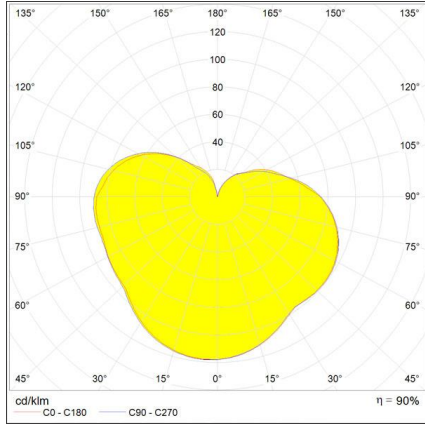
### LUMINAIRE

<b>Watt:</b>	23W	<b>Delivered lumens output (lm):</b>	1500lm
<b>Voltage:</b>	220V-240V	<b>CCT:</b>	2700K

### Notes

The IP 65 degree of protection makes it also suitable for outdoor application.

**LIGHT DISTRIBUTION**



We reserve the right to change our product specifications.  
Please visit [www.artemide.com](http://www.artemide.com) for the latest product information

June 2018