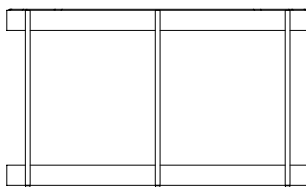
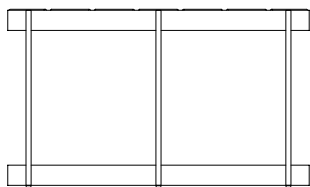


Product Manual



Drum Outdoor series Designed by Kaschkasch

Version 001 - Sept/2023

BOLIA

Vaerkmestergade 11-13
8000 Aarhus C, Denmark
+45 51 50 51 22

EN

Read the product manual carefully before using your product. If you do not follow the instructions, there is a risk that you could damage the product or in the worst case cause injury. Keep the product manual for future reference. If the product is later passed on to third parties, this manual must also be provided.



This symbol indicates a warning regarding the care, handling, or use of the product. If such a warning is not followed, there is a risk that you could damage the product, or in the worst case cause injury.

Use the product only for the purpose described in this manual. Any other use does not correspond to the intended purpose of the product and can lead to damage to the product or injuries. The manufacturer or dealer accepts no responsibility for damage resulting from the use of the product in a manner for which it is not intended. Incorrect, improper use of the product can lead to personal injuries. Children must not play with the packaging film, as there is a risk that they will be wrapped up in it and caught. Before using the product, make sure that there is nothing that can harm or injure people.

Risk of damaging the product

Incorrect, improper use, handling and cleaning can damage parts or the entire product. Do not step on or jump on the product. It is not intended for this. Do not use a hard brush, solvent, corrosive or strong cleaning agent to clean the products, if not advised by Bolia.com. Always use recommended care and cleaning products. Never cover wet products. If a wet product is covered, it can be damaged. Further information can be found on our website: Bolia.com

Technical information

As we are constantly developing and improving our products, design and technical changes may occur. This products manual can be downloaded as a PDF file from our website: Bolia.com



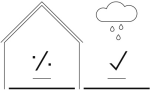
Disposal of packaging & product

Dispose of the product and packaging in accordance with local waste regulations. Packaging materials must be separated and disposed of properly.

For user instructions in other languages,
please scan this code



BOLIA



GB: This product is only for outdoor use.

DK: Dette produkt er kun til udendørs brug.

DE: Dieses Produkt darf nur im Freien verwendet werden.

NO: Dette produktet er kun ment for utendørs bruk.

SE: Den här produkten är endast avsedd för utomhusbruk.

NL: Dit product is uitsluitend bedoeld voor gebruik buitenshuis.

FR: Ce produit est uniquement destiné à un usage extérieur.

ES: Este producto es para uso exclusivo en exteriores.

Hot containers - wood



GB: Containers with very hot and cold liquids form condensation, which can penetrate the wood and cause rings on the surface.

DK: Beholdere med meget varme og kolde væsker danner kondens, som kan trænge ned i træet, og medføre ringe i overfladen.

DE: Behälter mit sehr heißen oder kalten Flüssigkeiten bilden Kondenswasser, das in das Holz eindringen kann, was Ringe auf der Oberfläche verursacht.

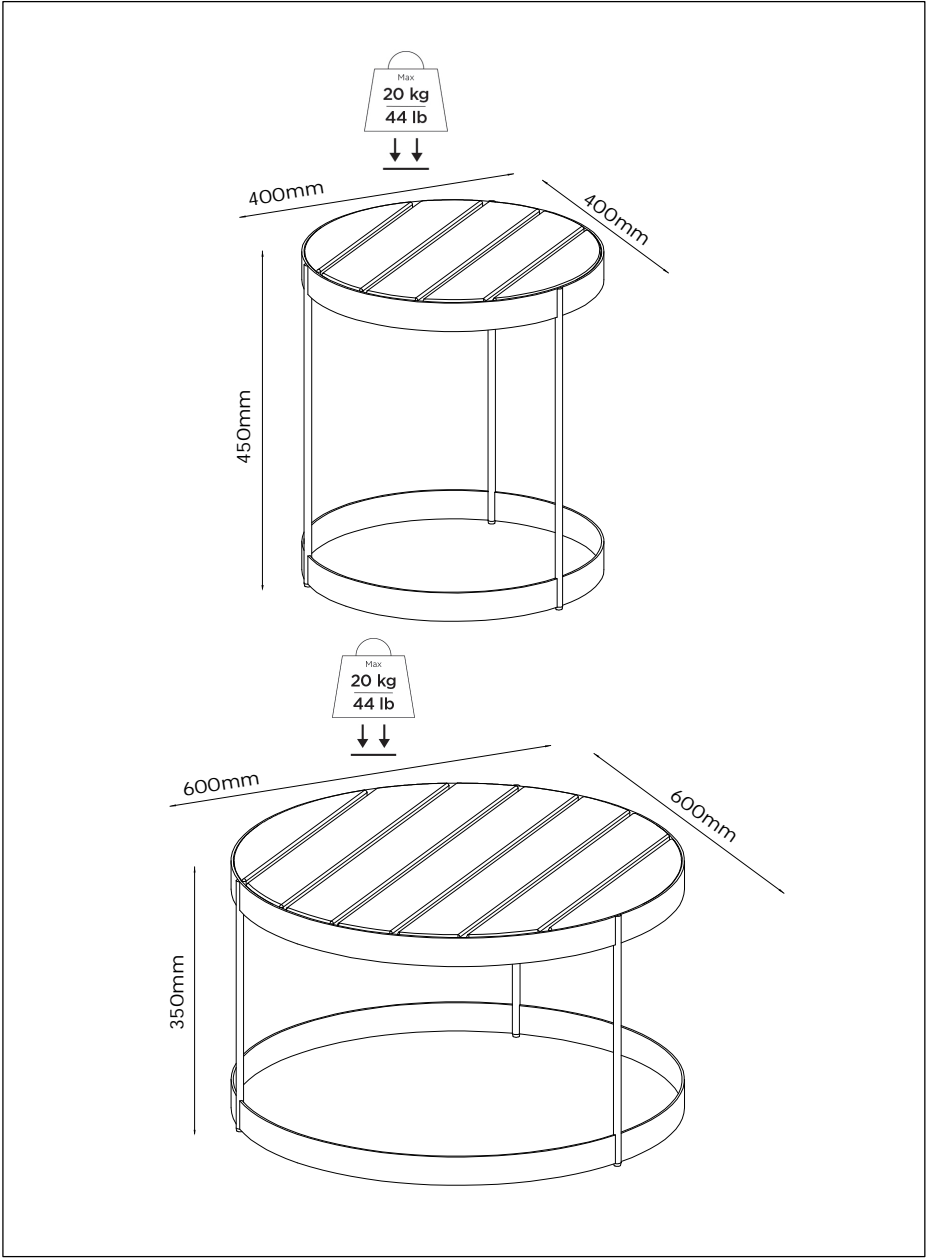
NO: Beholdere med svært varme og kalde væsker danner kondens som kan trenge ned i treet og påvirke overflaten.

SE: Behållare med mycket varma eller kalla vätskor bildar kondens som kan tränga ner i träet och orsaka ringar på ytan.

NL: Potten en pannen die zeer hete en koude vloeistoffen bevatten, vormen condens, die in het hout terecht kan komen, waardoor er ringen op het oppervlak ontstaan.

FR: De la condensation peut se former sur les récipients contenant des liquides très chauds et très froids. Celle-ci peut pénétrer dans le bois et occasionner la formation d'auréoles sur la surface.

ES: Los recipientes con líquidos muy calientes o fríos forman condensación, que puede atravesar la madera y dejar manchas circulares sobre la superficie.



BOLIA