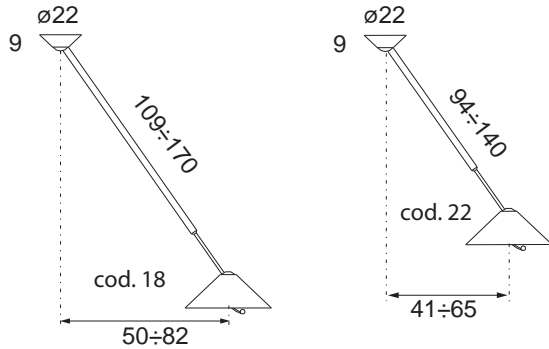


Flip

Designer

Heinrich Wiederhold - 1990

Direct light hanging lamp in aluminium alloy and steel, with a polycarbonate telescopic arm that swivels 360° on its hanging point. Shade in steel ø37cm or in polycarbonate (code 15) ø42cm.



Denominazione - Name - Name **Flip (cod. 18 - 22)**

Certificazioni - Certificates - Prüfzeichen **CE**

Normative - Norms - Normen **EN 60-598-1 (CEI 34-21)**

Lampadina - Light sources - Leuchtmittel **MAX 150W I/HAL - MAX 21W FL EL - E27/E26 - Ø 95mm (not included)**

Versioni - Available - Versionen **230V (Europe) - 120V (USA - Japan) - 240V (England)**

Classe di isolamento - Insulation Class - Isolierungsklasse **I**

Classe di protezione - Protection Class - Protektionsgrad **IP20**

Imballo - Packaging - Verpackung **0,103m³ - 4,24Kg (cod. 18) - 3,95Kg (cod. 22)**



Col. 02
Bianco
White
Weiß



Col. 08
Alluminio anodizzato
Anodised aluminium
Eloxiertes Aluminium



Col. 15
Metacrilato
Methacrylate
Methacrylat



Col. 44
Nichelato
Nickled
Vernickelt

