

BESTLITE BL10 // WALL LAMP, CORD WITH SWITCH, EU MODEL

Designed by Robert Dudley Best

PRODUCT



Item no.: 001-1010X
+ style code

DESCRIPTION

Bestlite has been in continuous production since 1930. Robert Dudley Best created Bestlite design. He was highly influenced by the Bauhaus. In the past 80 years, people appreciated the lamps and it decorates many homes, hotels and restaurants worldwide. Loved by architects, designers and design aficionados throughout its 80-year history, today, Bestlite enjoys global iconic status.

VERSION - BESTLITE WALL LAMP BL10

Shade and base: Powder coated aluminium
Tube and arm: Chromed steel

RAL codes are indicative.

- Fabric wire - Black:
- Black / White inside // RAL 9004 / RAL 9003 // Gloss level 20 / Gloss level 20
- Fabric wire - Off-White:
- Off-White / White inside // RAL 1015 / RAL 9003 // Gloss level 20 / Gloss level 20
- Fabric wire - White:
- White / White inside // RAL 9003 / RAL 9003 // Gloss level 20 / Gloss level 20

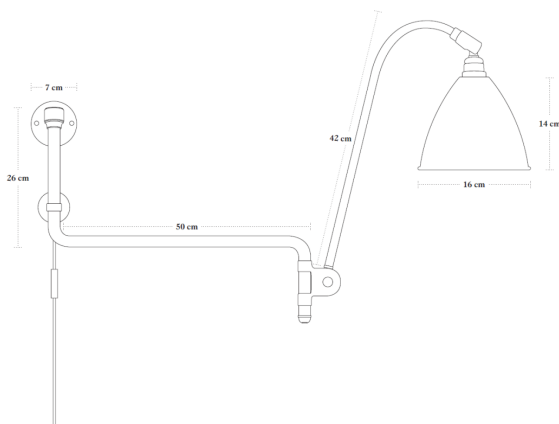
Please contact us for other colours or finishes.

VERSION

Order item - look for part number in the pricelist.

Series contains the following:

BL5, BL6, BL7, BL10



COLOURS



// Black / Chrome



// Off-White / Chrome



// White / Chrome

FACTS

MEASUREMENT - L X W X H MM

Lamp height: 1160 mm
Tube length: 620 mm
Shade height: 140 mm
Shade diameter: Ø160 mm
Cord: APP. 2000 mm

WEIGHT ITEM - LAMP INCL. WIRE
1792 g

PACKAGING TYPE

White cardboard box w/ 5ply corrugated

PACKAGING MEASUREMENT - L X W X H CM
L:40 x W:73,5 x H:23 cm

WEIGHT PACKAGING - MATERIAL TYPE

- Bestlite brochure 120 x 170 mm: 66,5 g
- Paper Egg crate: 1000 g
- Screws: 4,5 g
- PE polybag: 3 g
- Bestlite key: 18 g
- PE polybag: 1 g
- PE polybag: 60 g
- Cardboard outside: 800 g
- Cardboard top: 105 g

WEIGHT PACKAGING - TOTAL
4000 g

NUMBER OF PARCELS
1 pcs.

LIGHT SOURCE

- Socket: E14 base
- Recommended light source: *All fluorescens light bulbs*
- Recommended wattage: 9 W = (40 WATT incandescent bulbs)
- Max wattage: 13 W

- Recommended light source: *Halogen light bulb*
- Recommended wattage: 28 W = (40 WATT incandescent bulbs)
- Max wattage: 28 W

- All lamps can be fitted with a dimmer.
Please contact your local electrician.

- Lightbulb not included

BESTLITE BL10 // WALL LAMP, CORD WITH SWITCH, EU MODEL

Designed by Robert Dudley Best

CLEANING AND MAINTENANCE

Use a soft damp cloth when cleaning your Bestlite lamp. Do not use household cleaners.

ACCESSORIES

Item no.: 001-99058A plug EU

ENVIRONMENT

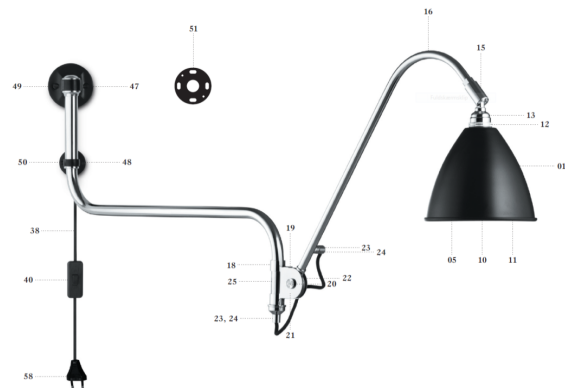
-

TESTS

-

CERTIFICATION AND LABELS

CE-CERTIFIED



STANDARD - (* = Standard for each country/region)

STOCK - BL10*

Cord with switch. 2 pin plug

- Euro plug: Type C, 2 PIN, 2,5 amp
- Euro voltage: 230 V
- Frequency: 50 Hz
- Supply voltage: AC power ~
- Normally Closed: IP20



Class II / Double insulated



CE-Mark



Luminaires accepted for mounting on a flammable base

KOMPONENTS

- 01 // Shade Ø16 cm.
- 05 // E14 lamp holder
- 10 // Insulating ring
- 11 // Internal shade ring
- 12 // External shade ring
- 13 // Lamp holder cover
- 15 // Universal joint
- 16 // Bestlite arm
- 18 // Bestlite clip
- 19 // Bestlite nut
- 20 // Bestlite bolt
- 21 // Tension spring
- 22 // Fibre washer
- 23 // Cord grip
- 24 // Cord grip cover
- 25 // Acetate
- 38 // Textile covered cord
- 40 // Switch
- 47 // Wall bracket
- 48 // Lower wall bracket.
- 49 // Screw 9x19 mm.
- 50 // Screw 6x36 mm.
- 51 // Mounting plate Ø7 cm
- 58 // Plug

Item no.: 001-1010X

MATERIAL

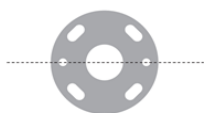
Shade and base: Powder coated aluminium
 Tube and arm: Chromed steel
 Textile covered cord

INSTALLATION INSTRUCTIONS

The Bestlite key:

It's a practical tool that enables you to fasten the lamp arm. Simply use it like a screwdriver in the slot in the Bestlite nut.

1) Read the instructions carefully and use them to ensure correct placement of the lamp. When you see the symbol below:



Technical information:

Light source: E14 E27 incandescent or LED halogen bulb. Not power of max. 40W for E14. The lamp is not approved for outdoor use.

Some advice on cleaning your Bestlite:

Powder coated parts - base (bracket) and shade: Wipe the parts with a damp cloth. Do not use water and a lot of acid detergent.

Chrome plated parts:

Wipe the parts with a damp cloth and wipe dry by hand.

If the surface is scratched or scratched, clean immediately with a soft cloth.

Use only soft cloth for wiping and polishing. Never damage or scratch.

Do not use abrasive household cleaners.

Do not use acids or other cleaning methods, glass cleaner or household products.



Use Bestlite's key:

Use the Bestlite key to fasten the lamp arm. Simply use it like a screwdriver in the slot in the Bestlite nut.

Do not use water and a lot of acid detergent.

Wipe the parts with a damp cloth and wipe dry by hand.

If the surface is scratched or scratched, clean immediately with a soft cloth.

Use only soft cloth for wiping and polishing. Never damage or scratch.

Do not use abrasive household cleaners.

Do not use acids or other cleaning methods, glass cleaner or household products.

BESTLITE
 SINCE 1930

