

TIVEDO

design Sebastian Bergne, 2014

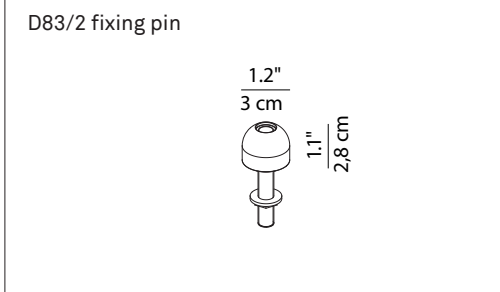
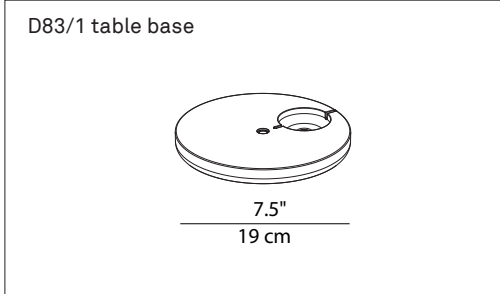
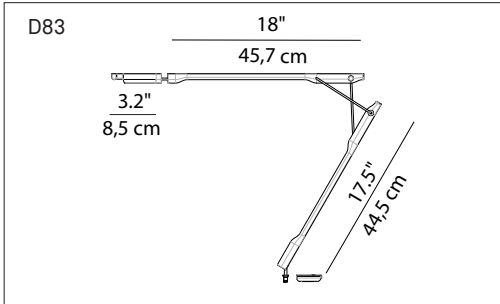


Type: Table
Lamps: LED 9,5W Mid Power 719 lm @ 3000K
 power on/off - dimmer button slotted in the base.
 Occupancy sensor (D83 pres.) is slotted in the base.
Product use: Indoor
Materials: body and base in polycarbonate, head in heatsink
 conductive thermoplastic, metal parts inox
Colors: black, light grey, lacquer red, sky blue
Description: Ultra-light, ultra-jointed and ultra-technological, the new lamp by Sebastian Bergne is part of a new generation of Task Lights. The two-way pantograph system allows for the widest range and variation of movement. The swiveling head, also in technopolymer, equipped with a practical, intuitive and ergonomic T grip, contains an LED lighting module of the latest generation, with low energy consumption. The heat sink which has been made using a special thermally conductive plastic instead of aluminium, molded with a design suggestive of a woven fabric pattern. The base houses an intelligent box directly connected to the cable, containing the switch and dimmer, with a second version including a presence sensor.

Rating: IP20 EEL: A

Marking:

Reference code:	Structure		
	D83	1D830=000001	black
		1D830=000004	light grey
		1D830=000008	lacquer red
		1D830=000023	sky blue
	D83 pres.	1D830=001001	black
		1D830=001004	light grey
		1D830=001008	lacquer red
		1D830=001023	sky blue
	Table base		
	D83/1	1D83/1000001	black
		1D83/1000004	light grey
		1D83/1000008	lacquer red
		1D83/1000023	sky blue
	Fixing pin		
	D83/2	1D83/2000018	polished



The LED lamps cannot be changed in the luminaire

