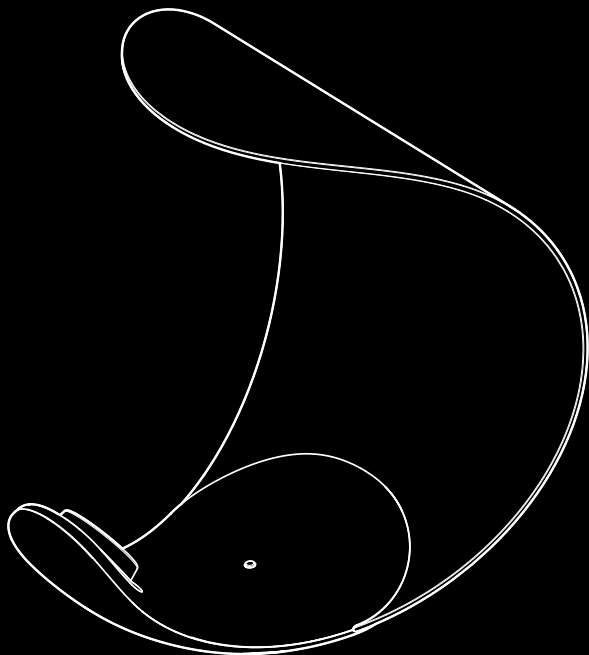


# CURL

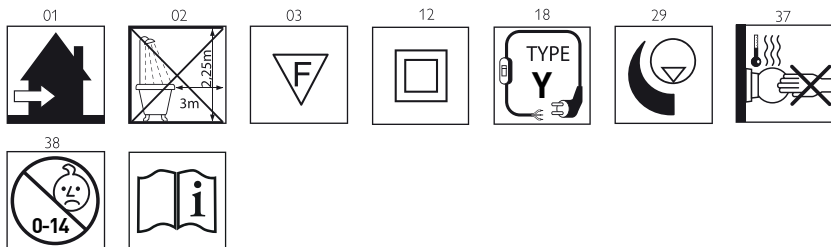
design Sebastian Bergne



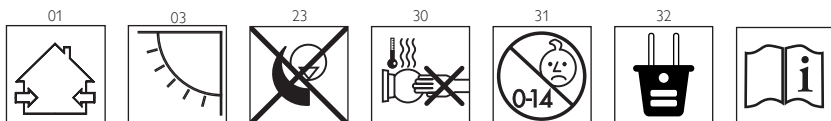
**LUCE  
PLAN**

D76





## USA - Canada - Mexico



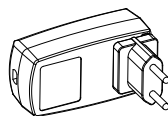
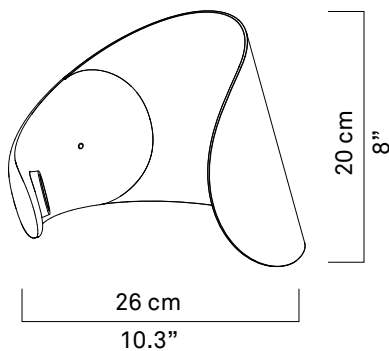
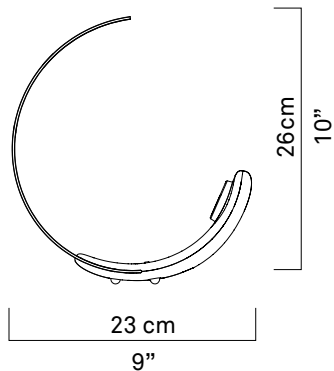
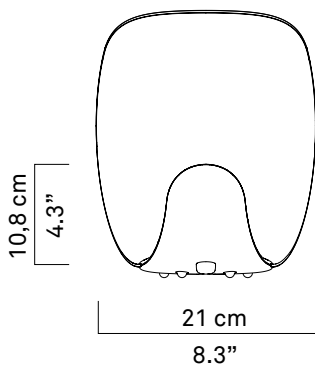
D76



a



b

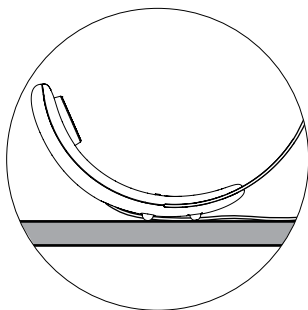
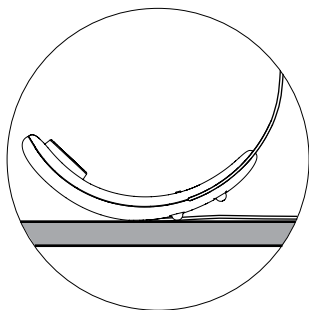
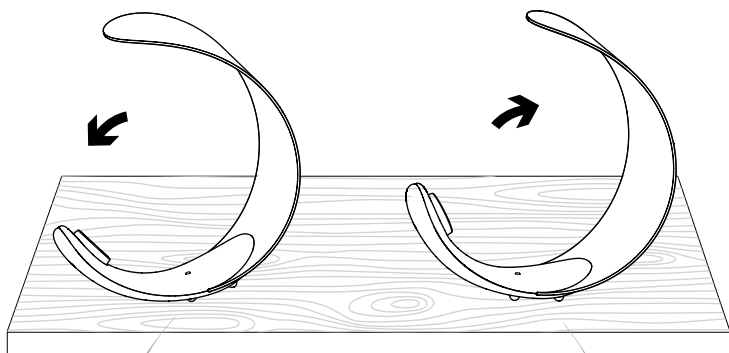
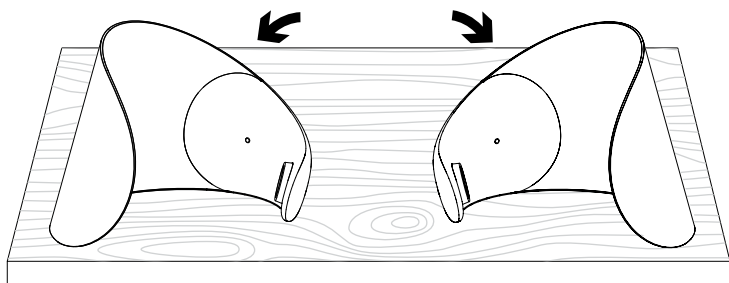


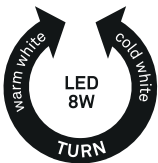
x1

LED 8W  
CCT: 2400 K - 3500 K  
EEi: A  
330 lm

kg 0,6 kg

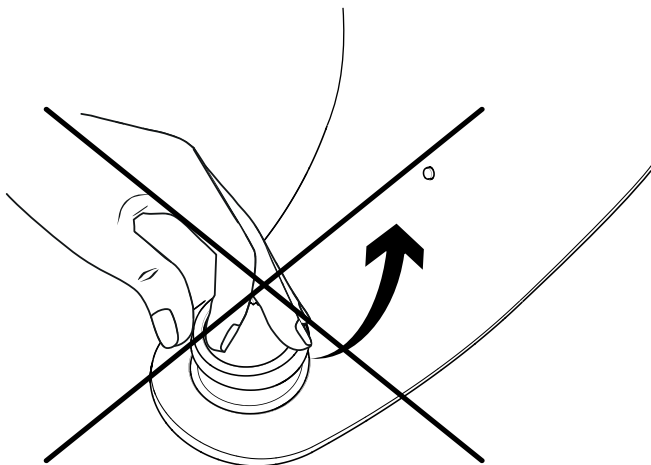
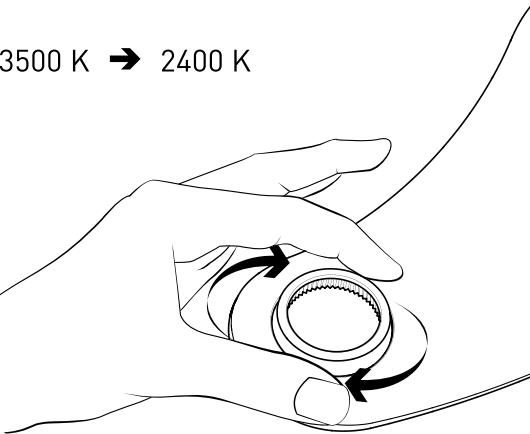
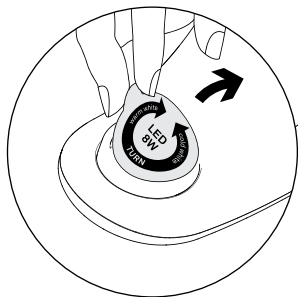
lb 1.4 lb

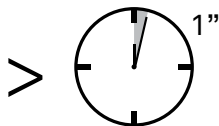
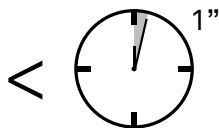
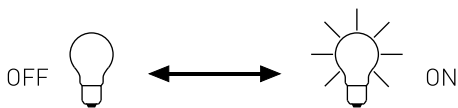
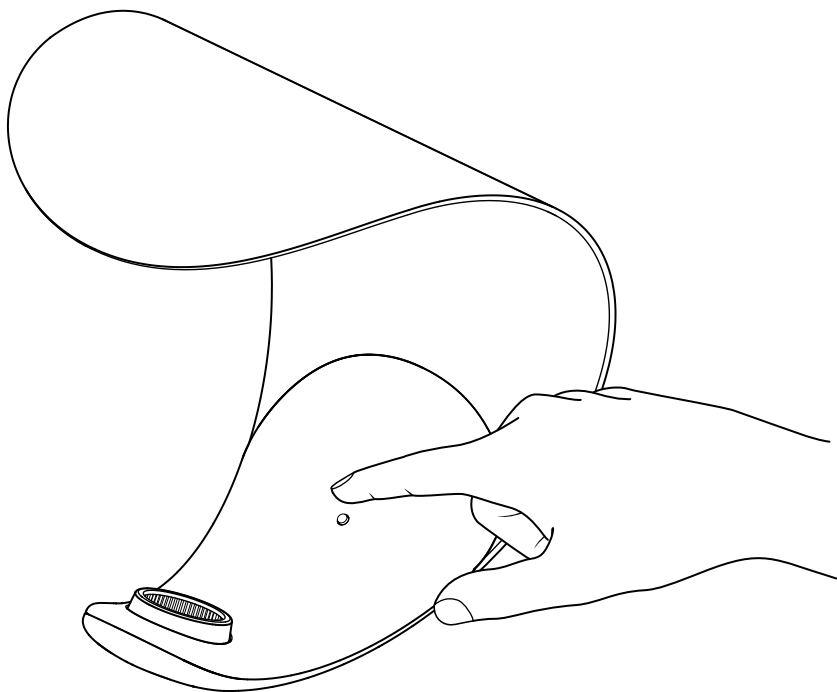


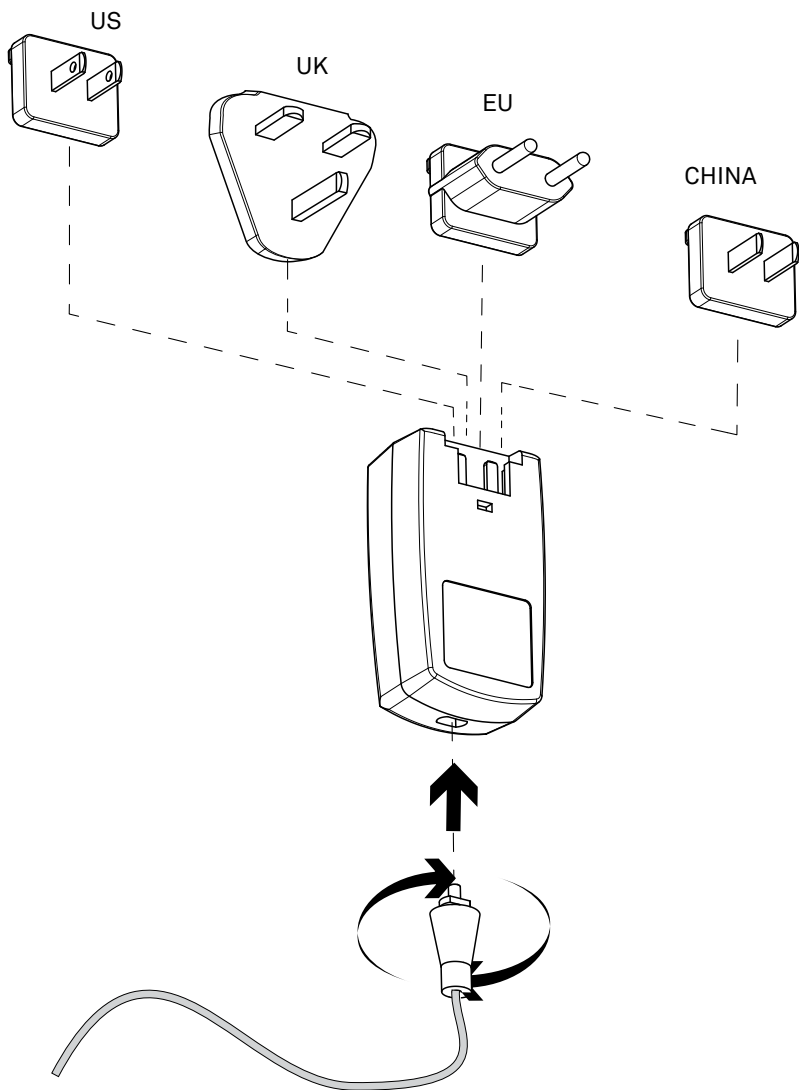


↻ 2400 K → 3500 K

↻ 3500 K → 2400 K









Luceplan Spa  
Via E.T. Moneta 40  
20161 Milano  
Italia  
T +39 02662421  
F +39 0266203400  
info@luceplan.com

Luceplan USA  
14 Wooster Street  
New York, NY 10013  
infous@luceplan.com

[www.luceplan.com](http://www.luceplan.com)



Quality System  
Certificate  
UNI EN  
ISO 9001

D760IA201