

PRODUCT DATA SHEET

Tolomeo mini parete - Led Aluminium



DESIGN BY :

Michele De Lucchi, Giancarlo Piretti
1987

MATERIALS :

Anodized aluminium, polished aluminium

DESCRIPTION :

Cantilevered arms in polished aluminium; diffuser in anodised aluminium; joints and wall support in polished aluminium. System of spring balancing.

Light emission



IP 20 Dimmer

TECHNICAL DATA SHEET

FEATURES

Product name:	Tolomeo mini parete - Led Aluminium
Article Code:	A005600
Colour:	Aluminium
Material:	Anodized aluminium, polished aluminium
Support:	Wall
Series:	Design

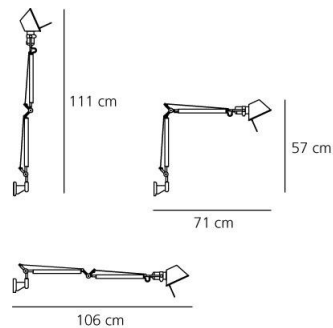
DIMENSIONS

Length:	cm 71
Height:	cm 57
Max Extension Height:	cm 111
Max Extension Length:	cm 106
Cutout shape:	

LAMPS INCLUDED

Category:	LED
Watt:	11W
Luminous Flux (lm):	410 lm
Typology:	1
Color Rendering:	N/s
Color temperature (K):	3000K

DIMENSIONS



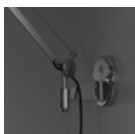
LAMP

IP 20

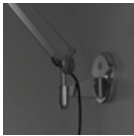
Dimmer

LUMINAIR

Watt:	10W
Voltage:	220V-240V



ACCESSORIES



TOLOMEO SUPPORTO
PARETE NEWA025150