

PRODUCT DATA SHEET

Tolomeo parete - Halo Bianco



DESIGN BY :

MicheleDe Lucchi,GiancarloFassina
1987

MATERIALS :

Anodized aluminium, polished aluminium

DESCRIPTION :

Cantilevered arms in polished aluminium; diffuser in white aluminium; joints and wall support in polished aluminium. System of spring balancing.

Light emission



IP 20     

TECHNICAL DATA SHEET

FEATURES

Product name:	Tolomeo parete - Halo Bianco
Article Code:	A004420
Colour:	White
Material:	Anodized aluminium, polished aluminium
Support:	Wall
Support colour:	Polished aluminium
Series:	Design

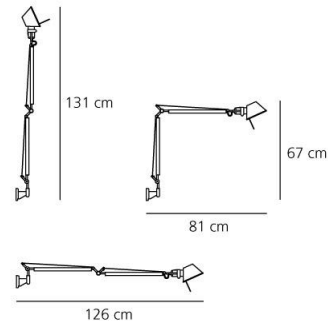
DIMENSIONS

Length:	cm 81
Height:	cm 67
Max Extension Height:	cm 131
Max Extension Length:	cm 126
Cutout shape:	

LAMPS INCLUDED

Category:	HALO
Number:	1
Lbs:	Qa60
Watt:	70 W
Socket:	E27
Type:	Hsgsa/c/ub
Luminous Flux (lm):	1180 lm
Colour Rendering:	1a
Colour temperature (K):	2900 K
Duration (h):	2000

DIMENSIONS

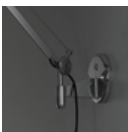


LAMP

IP 20     

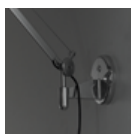
LUMINAIR

Watt:	1x70W
Voltage:	220V-240V



TOLOMEO SUPPORTO
PARETE NEWA025150

ACCESSORIES



TOLOMEO SUPPORTO
PARETE NEWA025150