

PRODUCT DATA SHEET

Tolomeo lettura Led - Aluminium



DESIGN BY :

MicheleDe Lucchi,GiancarloFassina
2010

MATERIALS :

Anodized aluminium, polished aluminium

DESCRIPTION :

Base and cantilevered arms in polished aluminium; diffuser in opaque anodized aluminium adjustable in all directions; joint in polished aluminium. System of spring balancing.

Light emission



IP 20
Dimmer

TECHNICAL DATA SHEET

FEATURES

Product name:	Tolomeo lettura Led - Aluminium
Article Code:	A013100
Colour:	Aluminium
Material:	Anodized aluminium, polished aluminium
Support:	Base
Support colour:	Aluminium
Series:	Design

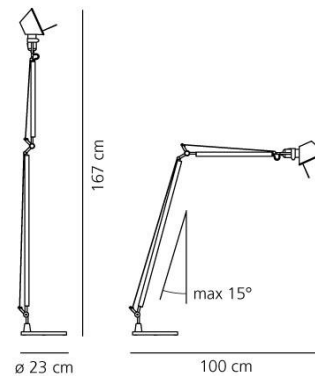
DIMENSIONS

Base Diameter:	cm 23
Max Extension Height:	cm 167
Max Extension Length:	cm 100
Cutout shape:	

LAMPS INCLUDED

Category:	LED
Watt:	11W
Luminous Flux (lm):	410 lm
Typology:	1
Color Rendering:	N/s
Color temperature (K):	3000K

DIMENSIONS



LAMP

IP 20

Dimmer

LUMINAIR

Watt: 10,2 W



TOLOMEO LETT BASE
ALLA014900

ACCESSORIES



TOLOMEO LETT BASE
ALLA014900