

## PRODUCT DATA SHEET

### Tolomeo micro table - Only body - Halo Alluminio



#### DESIGN BY :

MicheleDe Lucchi,GiancarloFassina  
1987

#### MATERIALS :

Polished aluminium, matt anodised aluminium

#### DESCRIPTION :

Base and cantilevered arms in polished aluminium; diffuser in matt anodised aluminium; joints and supports in polished aluminium. System of spring balancing.

Interchangeable support: table base, clamp, desk fixed support and twin support that allows two independent lamp units to be fitted.

#### Light emission



### TECHNICAL DATA SHEET

#### FEATURES

Product name:	Tolomeo micro table - Only body - Halo Alluminio
Article Code:	<b>A010900</b>
Colour:	Aluminium
Material:	Polished aluminium, matt anodised aluminium
Support colour:	Aluminium
Series:	Design

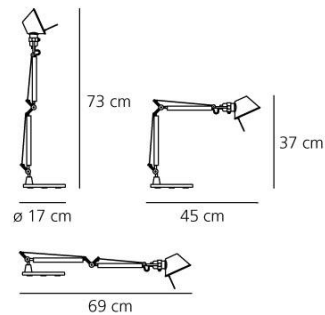
#### DIMENSIONS

Length:	cm 45
Height:	cm 37
Base Diameter:	cm 17
Max Extension Height:	cm 73
Max Extension Length:	cm 69
Cutout shape:	

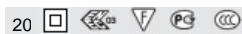
#### LAMPS NOT INCLUDED

Category:	HALO
Number:	1
Lbs:	Qt26
Watt:	46
Socket:	E14
Type:	N/s
Colour Rendering:	1a
Colour temperature (K):	N/s

#### DIMENSIONS



#### LAMP



#### LUMINAIR

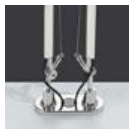
Watt:	46 W
Voltage:	220V-240V



TOLOMEO SUPP.TAVOLO  
FISSOA004200



TOLOMEO  
MORSETTOA004100



TOLOMEO SUPPORTO  
TAVOLO TWINA004300

## ACCESSORIES

---



TOLOMEO SUPP.TAVOLO  
FISSOA004200



TOLOMEO  
MORSETTOA004100



TOLOMEO SUPPORTO  
TAVOLO TWINA004300